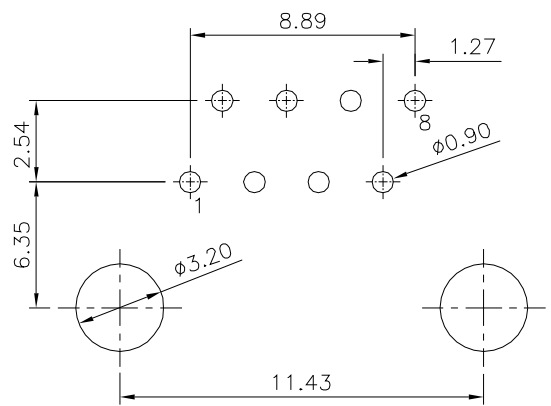
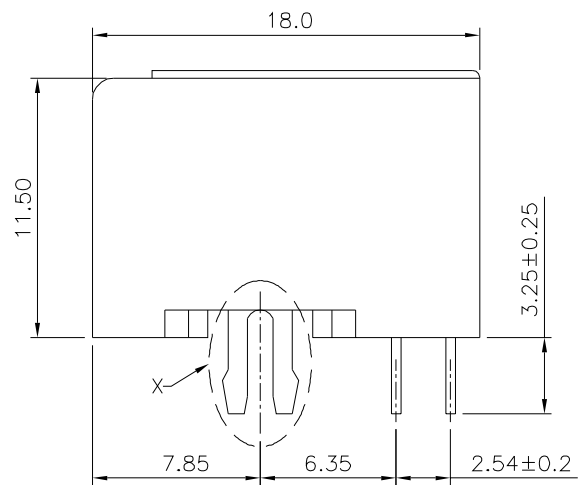
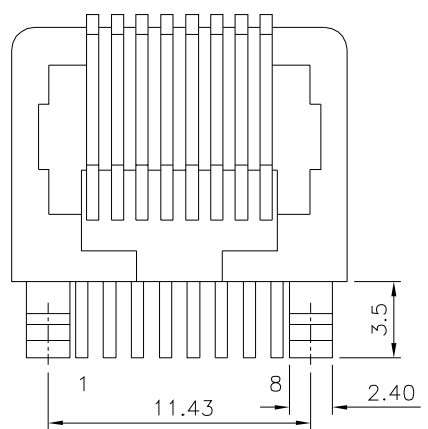
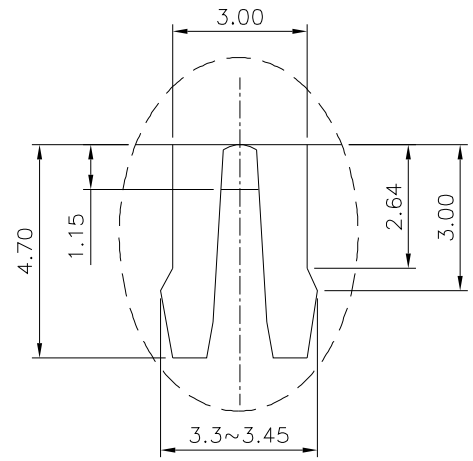
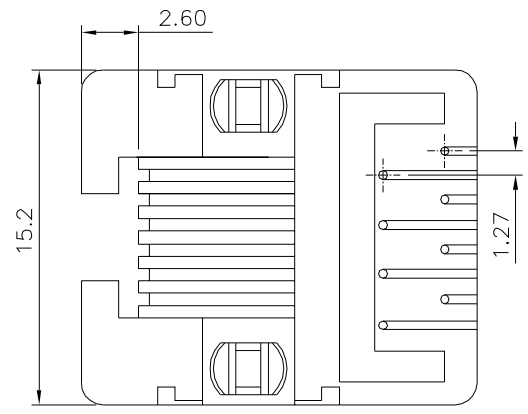


SPECIFICATION

Housing:PBT+G.F.(UL94V-0),Black  
 Contact:Phosphor Bronze  $\varnothing 0.45\text{mm}$   
 Gold Flash Over All,Over Nickel  
 Cavity Confirms To FCC Rules And  
 Regulations Part 68,Subpart F.  
 RoHS Compliant



Recommended P.C.B. Layout



Detail X

**4UCON** 元化興業股份有限公司  
 4UCON TECHNOLOGY INC.

DRAWING No.		APPROVED BY		UNLESS OTHERWISE SPECIFIED TOLERANCES ARE .X $\pm 0.25$ .XX $\pm 0.13$ .XXX $\pm 0.05$ ANG. $\pm 0.5^\circ$
04893		MEI		
		HZF		
		DRAWING BY		UNIT mm
		HAO		
SCALE	NONE	REV.	B0	

NO.	REV.	REVISIONS	CHK	DATE
△ B0		NEW RELEASE	HZF	02/17/2023