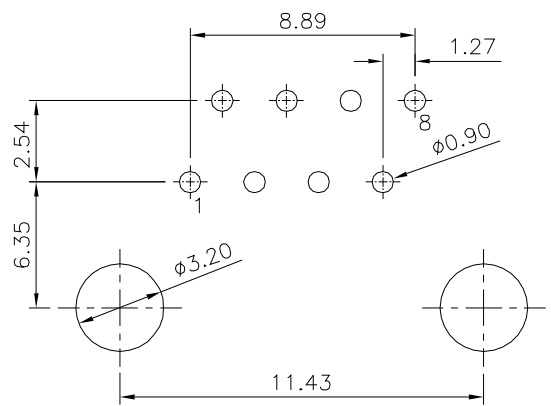
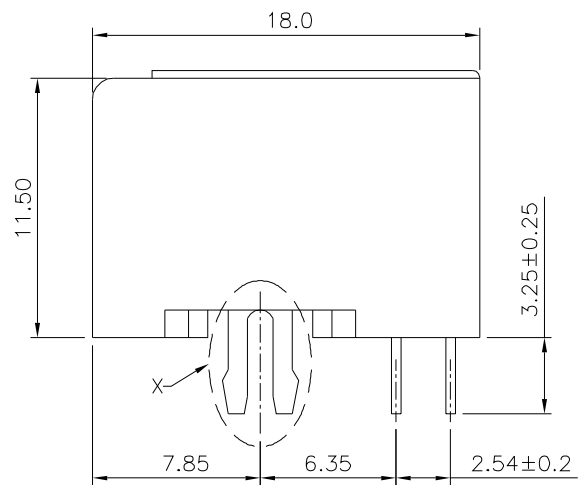
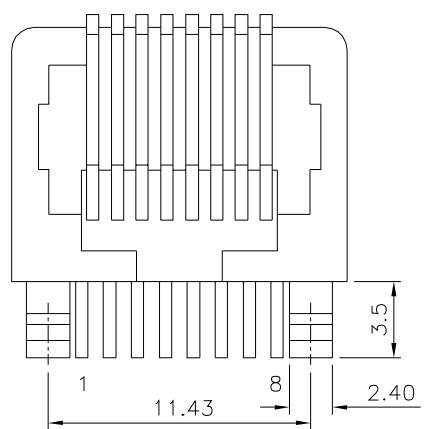
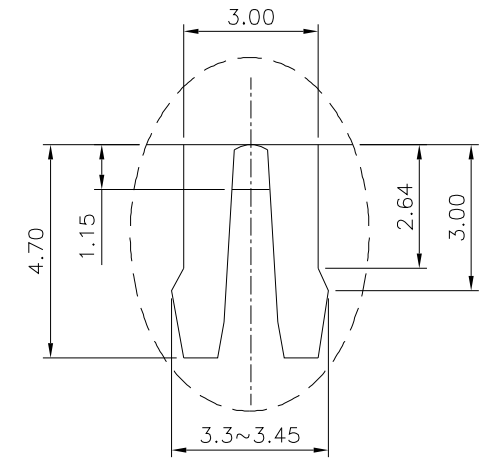
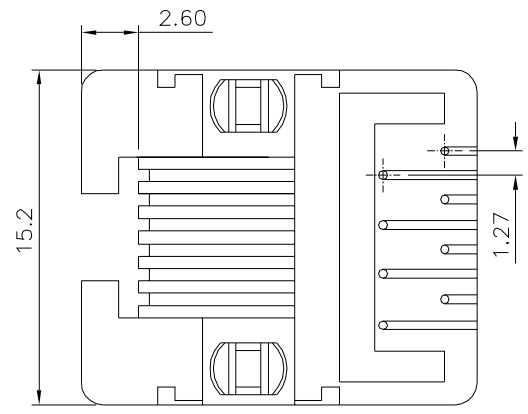


SPECIFICATION

Housing:PBT+G.F.(UL94V-0),Black
 Contact:Phosphor Bronze $\phi 0.45\text{mm}$
 Gold Flash Over All,Over Nickel
 Cavity Confirms To FCC Rules And
 Regulations Part 68,Subpart F.
 RoHS Compliant



Recommended P.C.B. Layout



Detail X

4UCON 元化興業股份有限公司
 4UCON TECHNOLOGY INC.

| | | | | |
|-------------|------|-------------|----|---|
| DRAWING No. | | APPROVED BY | | UNLESS OTHERWISE SPECIFIED TOLERANCES ARE .X ± 0.25 .XX ± 0.13 .XXX ± 0.05 ANG. $\pm 0.5^\circ$ |
| 04895 | | MEI | | |
| | | HZF | | |
| | | DRAWING BY | | UNIT mm |
| | | HAO | | |
| SCALE | NONE | REV. | B0 | |
| | | | | |

| | | | | |
|------|------|-------------|-----|------------|
| NO. | REV. | REVISIONS | CHK | DATE |
| △ B0 | | NEW RELEASE | HZF | 02/17/2023 |