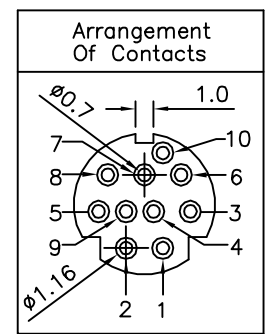
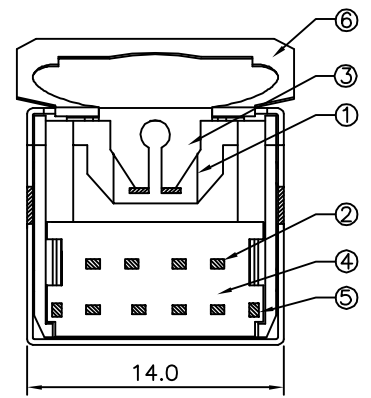


△ Recommended P.C.B. Layout(Bottom View)

△ SPECIFICATION

Contact Resistance:30 Milliohms Max.
 Insulation Resistance:100 Megaohms Min.
 At 500V DC
 Rated Voltage And Current:DC 12V 2A Max.
 AC 100V 1A Max.
 Withstand Voltage:250V AC For 1 Minute
 Durability(Life Test):100 Cycles
 Insertion Force:4.0Kg Max.
 Extraction Force:0.9Kg Min.
 RoHS Compliant



No.	Description	Q'ty	Material	Remark
①	Housing	1	PBT+G.F.	Black
②	Contact	8	Phosphor Bronze	Gold Flash On Contact Area,Tin Plated On Solder Tails,Over Nickel
③	Shield	1	Brass	Tin Plated
④	Bottom Cover	1	PBT+G.F.	Black
⑤	Harpoon	2	Brass	Gold Flash On Contact Area,Tin Plated On Solder Tails,Over Nickel
⑥	Spring Shield	1	Stainless	

4UCON 元化興業股份有限公司
 4UCON TECHNOLOGY INC.

DRAWING No.		APPROVED BY		UNLESS OTHERWISE SPECIFIED TOLERANCES ARE X. ±0.38 △ .X ±0.25 .XX ±0.13 .XXX ±0.05
05227		MEI		
		CHECKED BY HZF		
		DRAWING BY HAO		
SCALE	NONE	REV.	A1	UNIT mm

△ A1	Modify Data	HZF	01/15/2016
△ A0	NEW RELEASE	BECKY	2004/08/20
NO.REV.	REVISIONS	CHK	DATE