

Recommended P.C.B. Layout

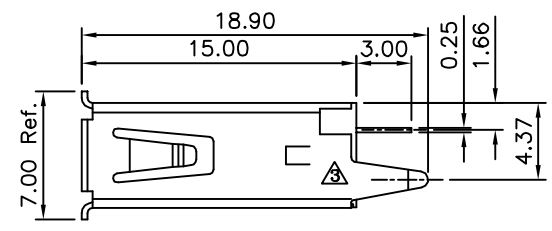
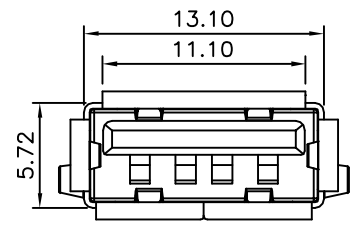
**△ SPECIFICATION**  
 Current:1.5A(Current=3A Max.,When Voltage=5V)  
 Voltage:30V Max.  
 Withstanding Voltage:500V AC For One Minute  
 Contact Resistance:30 Milliohms Max.  
 Insulation Resistance:1000 Megaohms Min.  
 Temperature Range:-55°C~+85°C  
 Mating Force:35N Max.  
 Withdrawal Force:10N Min.  
 Durability:1500 Cycles Min.  
 Contacts:Brass

Gold Flash On Contact Area,Tin  
 Plated On Solder Tails,Over Nickel

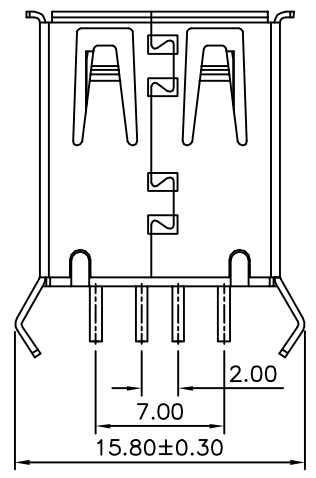
△ Insulator/Back Cup:PBT+G.F.(UL94V-0)

05240:White  
 05294:Black

Shell:Brass,Nickel Plated Over All  
 RoHS Compliant



△



**4UCON** 元化興業股份有限公司  
 4UCON TECHNOLOGY INC.

DRAWING No.		APPROVED BY		UNLESS OTHERWISE SPECIFIED TOLERANCES ARE .X ±0.38 .X* ±2* .XX ±0.25 .XX* ±1* .XXX ±0.13 .XXX* ±0.5* UNIT mm		NO.	REV.	REVISIONS	CHK	DATE
05240		MEI								
		HZF								
		HAO								
SCALE	NONE	REV.	B3							
						B3	Modify Data		HZF	08/19/2015
						B2	Modify Data		HZF	08/11/2014
						B1	Modify Data		HZF	08/01/2011
						B0	NEW RELEASE		HZF	06/16/2010