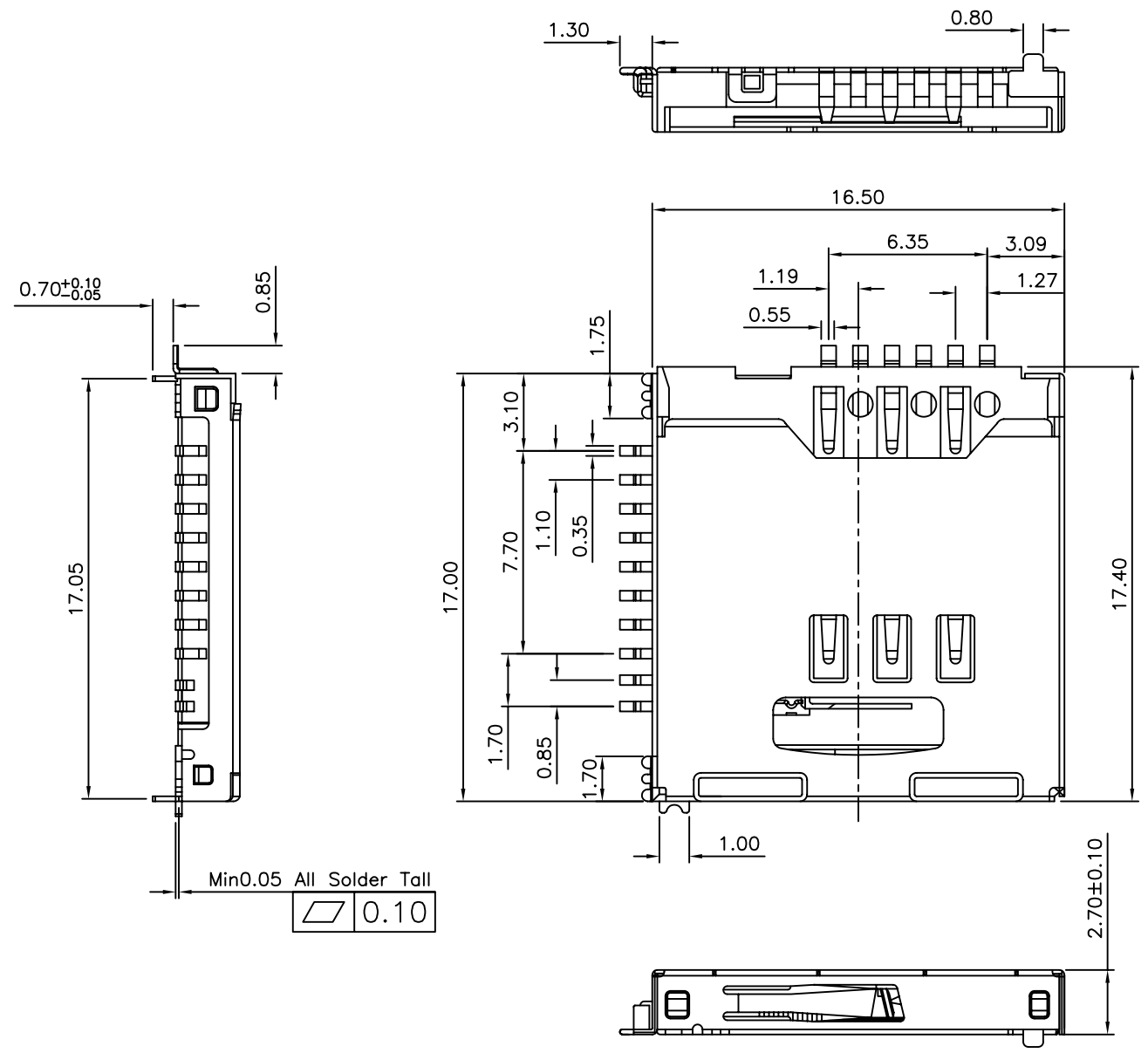


SPECIFICATION

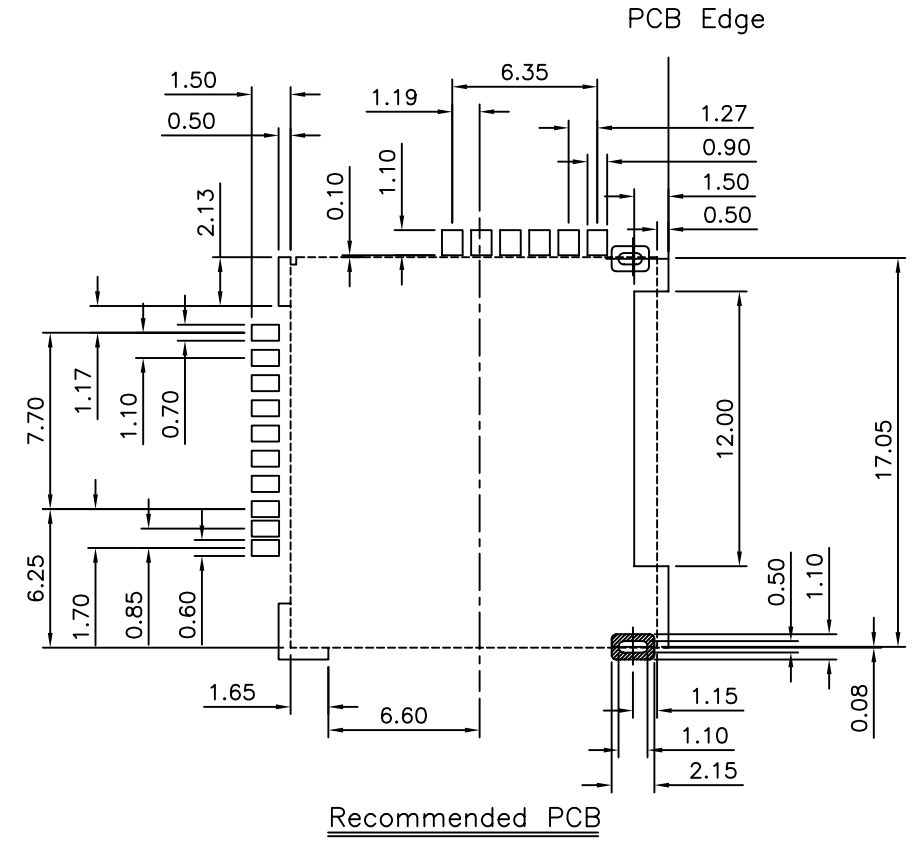
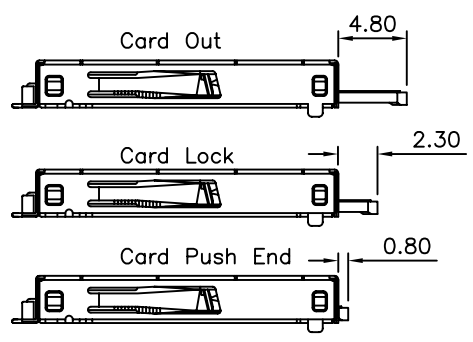
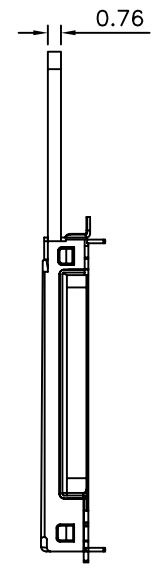
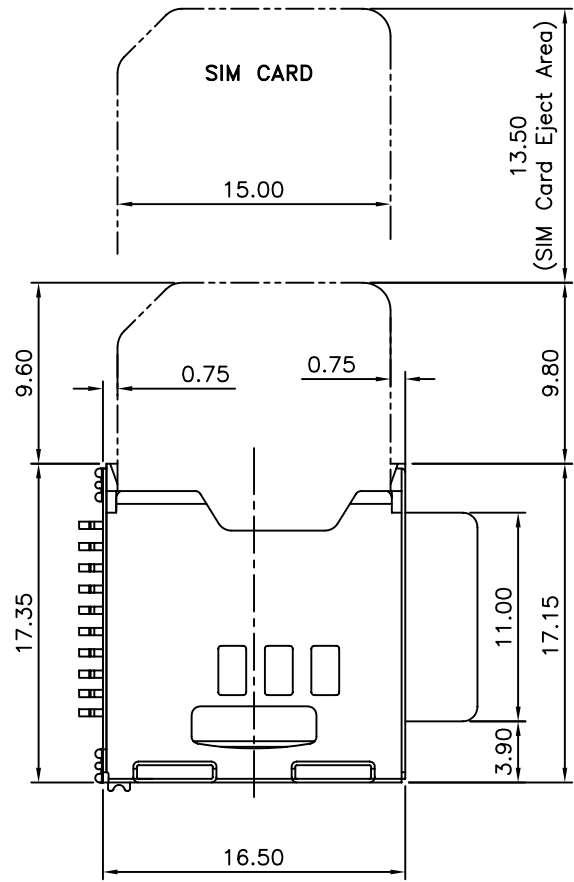
Voltage:100V AC
 Current:0.5A Max
 Contact Resistance:40 Milliohms Max.
 Voltage Proof:500V AC
 Insulation Resistance:1000 Megohm Min.
 Card Insertion/Withdrawal
 Force:13.8N Max
 Push In Strength:19.6N
 Durability:10,000 Cycles



4UCON 元化興業股份有限公司
 4UCON TECHNOLOGY INC.

| | | | | |
|-------------|------|-------------|----|--|
| DRAWING No. | | APPROVED BY | | UNLESS OTHERWISE SPECIFIED TOLERANCES ARE .X ±0.10 .XX ±0.05 ANG. ±2° |
| 05277 | | MEI | | |
| | | HZF | | |
| | | DRAWING BY | | |
| | | QZZ | | |
| SCALE | NONE | REV. | A0 | UNIT mm |

| | | | | |
|------|------|-------------|-----|------------|
| NO. | REV. | REVISIONS | CHK | DATE |
| △ A0 | | NEW RELEASE | HZF | 02/16/2007 |



4UCON 元化興業股份有限公司
4UCON TECHNOLOGY INC.

| | | | | |
|-------------|------|-------------|-----|--|
| DRAWING No. | | APPROVED BY | | UNLESS OTHERWISE SPECIFIED TOLERANCES ARE .X ±0.10 .XX ±0.05 ANG. ±2° |
| 05277 | | MEI | | |
| | | CHECKED BY | HZF | |
| | | DRAWING BY | QZZ | |
| SCALE | NONE | REV. | A0 | UNIT mm |

| | | | | |
|------|------|-------------|-----|------------|
| NO. | REV. | REVISIONS | CHK | DATE |
| △ A0 | | NEW RELEASE | HZF | 02/16/2007 |