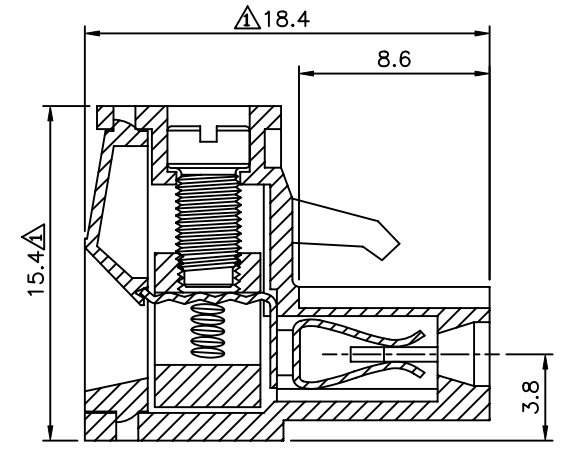
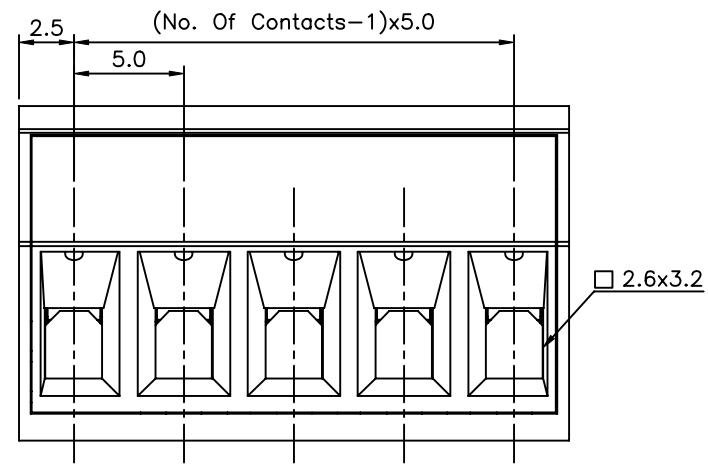
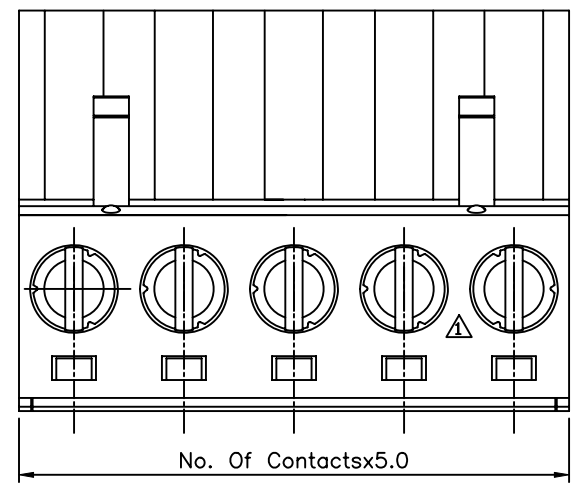


△ SPECIFICATION

Voltage Rating:250V AC
 Current Rating:10 Amp/Way Max.
 Contact Resistance:20 Milliohms Max.
 Insulation Resistance:5000 Megohms/1000V
 Withstanding Voltage:1500V AC(1 Minute) Test Time=60Sec./1PCS
 Wire Range:12~26AWG
 Torque:4.3 kgf.cm/M3
 Operation Temperature:-40°C~+120°C
 Contact(Metal Housing):Copper Alloy
 Terminal Screw:Steel,Galvanized With Cr3+ Plated
 Wire Guard:Copper Alloy,Tin Plated
 Insulator Body(Housing):Polyamide(Glass Filled)(UL94V-0),Green
 RoHS Compliant



4UCON 元化興業股份有限公司
 4UCON TECHNOLOGY INC.

DRAWING No.		APPROVED BY		UNLESS OTHERWISE SPECIFIED TOLERANCES ARE X. ±0.50 .X ±0.30 .XX ±0.20 ANG. ±1°
05296		MEI		
		CHECKED BY		
		HZF		
		DRAWING BY		UNIT mm
		WZL		
SCALE	NONE	REV.	A1	

NO.	REV.	REVISIONS	CHK	DATE
△ A1		Modify Data	HZF	07/13/2010
△ A0		NEW RELEASE	HZF	05/13/2009