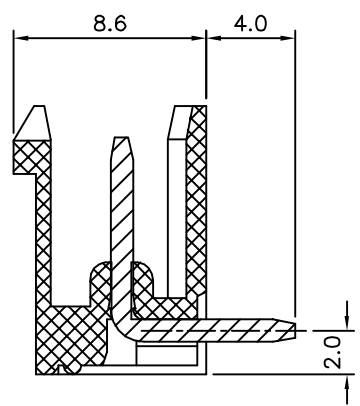
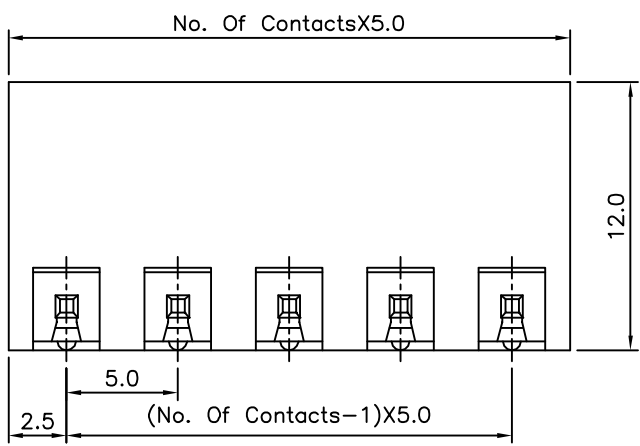
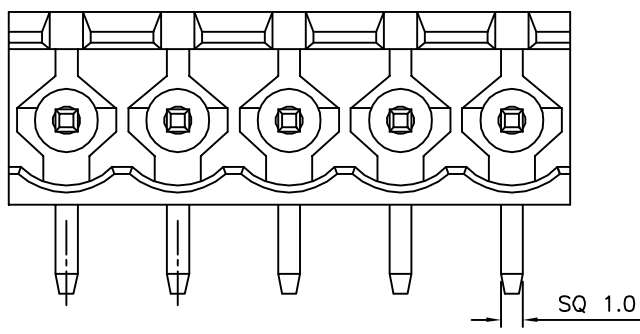


Recommended P.C.B. Layout



△ SPECIFICATION
 Current Rating:10A
 Voltage Rating:250V AC
 Withstand Voltage:2500V AC(1 Minute)
 Insulation Resistance:5000 Megohms At DC 1000V
 Using Temperature Range:-40°C~+105°C
 Soldering Temperature:+250°C,5 Seconds Max.
 Insulator Body(Housing):Polyamide+G.F.(UL94V-0),Green
 Contact:Copper Alloy,Tin Plated
 RoHS Compliant

4UCON 元化興業股份有限公司
 4UCON TECHNOLOGY INC.

DRAWING No.		APPROVED BY		UNLESS OTHERWISE SPECIFIED TOLERANCES ARE X. ±0.50 .X ±0.30 .XX ±0.20 X° ±1°
05335		EMILY		
		CHECKED BY		
		HZF		
		DRAWING BY		
		WSS		
SCALE	NONE	REV.	A1	UNIT
				mm

NO.	REV.	REVISIONS	CHK	DATE
△ A1		Modify Data	HZF	04/20/2011
△ A0		NEW RELEASE	HZF	05/13/2009