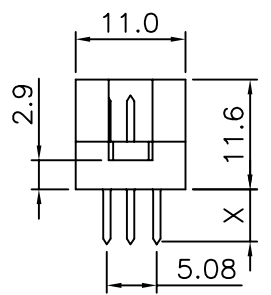
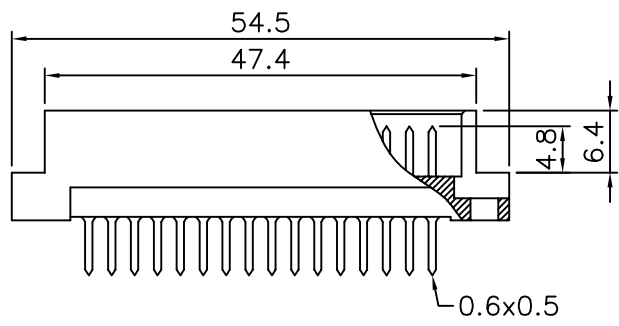
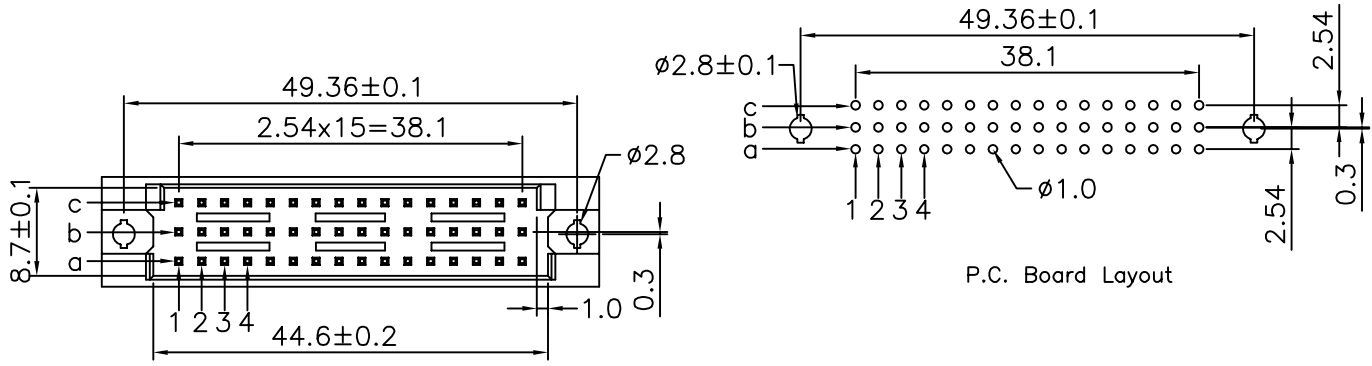


**SPECIFICATIONS:**  
 Current Rating : 2A  
 Dielectric Withstanding Voltage : AC1000V  
 For 1 Minute  
 Insulation Resistance : 1000Megohms Min.  
 At DC 500V  
 Contact Resistance : 30 Milliohms At DC 100mA  
 Operating Temperature : -55°C To +105°C  
 Housing : 30% Glass Filled PBT UL 94V-0  
 Contacts : Brass



	X Length	1	2	W1	W2
		4.0	2.5	13	17
Pitch	Position	Rows With Contacts		Contact Arrange	
2.54mm	32	a	-	c	

**4UCON** 元化興業股份有限公司  
 4UCON TECHNOLOGY INC.

DRAWING No. 2410504E01

APPROVED BY MEI  
 CHECKED BY RAN  
 DRAWING BY HZF

UNLESS OTHERWISE SPECIFIED TOLERANCES ARE  
 .X ±0.38  
 .XX ±0.25  
 AWG.

SCALE NONE REV. A UNIT mm

AREA	REVISIONS	CHK	DATE