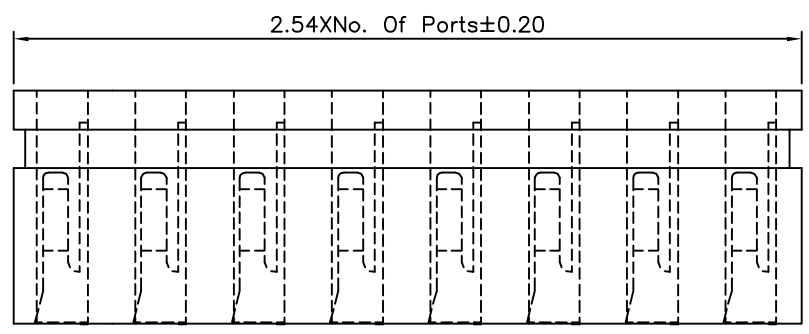
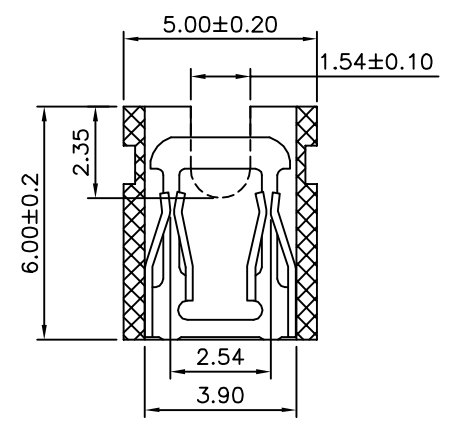


△△



△△△



△△△

△ SPECIFICATION

- Current Rating:3 Amp
- Dielectric Withstand Voltage:500V AC/DC
- Insulation Resistance:1000 Megaohms Min.
- Operation Temperature:-40°C~+105°C
- Insulator:PBT+15%G.F.(UL94V-0)
- Contact:Brass,Selective Gold Plated Over Nickel
- △ No. Of Ports:2~10 Ports
- RoHS Compliant

4UCON 元化興業股份有限公司
4UCON TECHNOLOGY INC.

DRAWING No.		APPROVED BY		UNLESS OTHERWISE SPECIFIED TOLERANCES ARE 5~ ±0.3 △△ 0~5 ±0.2 ANG. ±1°
05752		EMILY		
		CHECKED BY HZF		
SCALE		DRAWING BY		UNIT mm
NONE	REV.	SAN		
		A3		

NO.	REV.	REVISIONS	CHK	DATE
△	A3	Modify Data	HZF	07/12/2014
△	A2	Modify Data	HZF	09/21/2012
△	A1	Modify Data	HZF	05/24/2012
△	A0	NEW RELEASE	HZF	01/22/2014