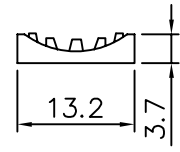
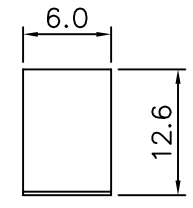
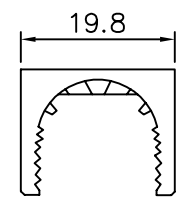
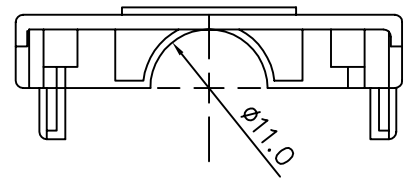
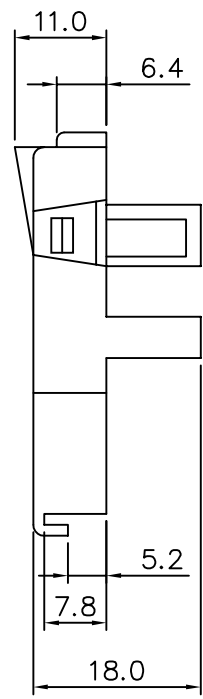
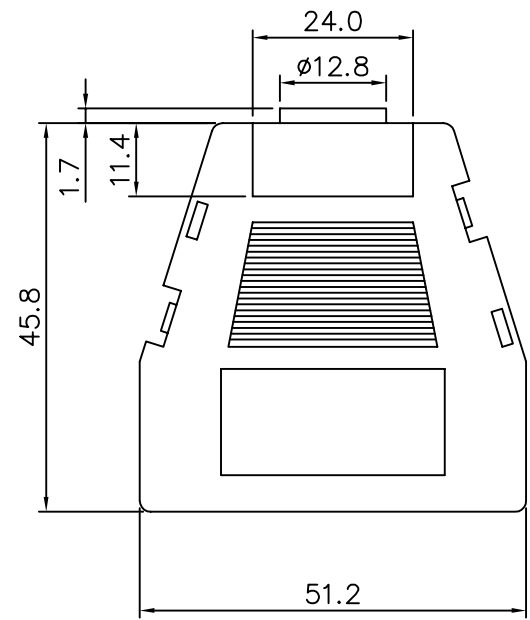


SPECIFICATIONS  
Insulator: ABS UL 94HB



**4UCON** 元化興業股份有限公司  
4UCON TECHNOLOGY INC.

DRAWING No.  
05767

APPROVED BY  
MEI  
CHECKED BY  
RAN  
DRAWING BY  
HZF

UNLESS OTHERWISE SPECIFIED  
TOLERANCES ARE  
X. ±0.5  
.X ±0.25  
.XX ±0.15

SCALE NONE REV. A

UNIT mm



| AREA | REVISIONS | CHK | DATE |
|------|-----------|-----|------|
|      |           |     |      |
|      |           |     |      |
|      |           |     |      |