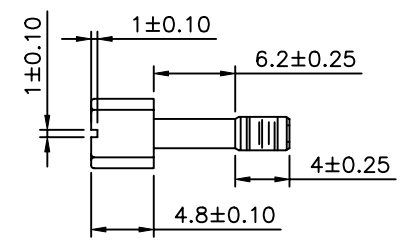
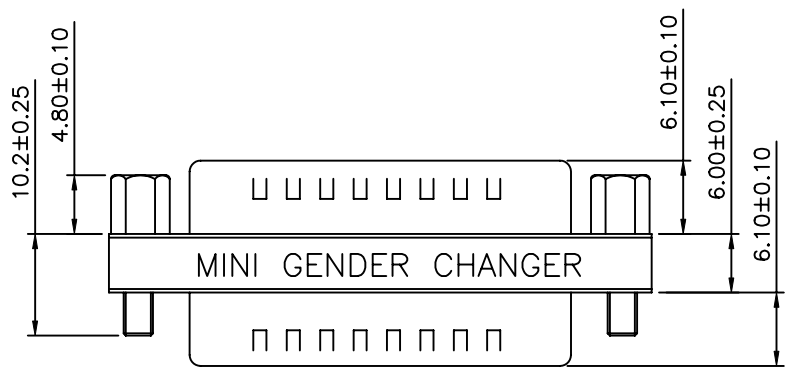
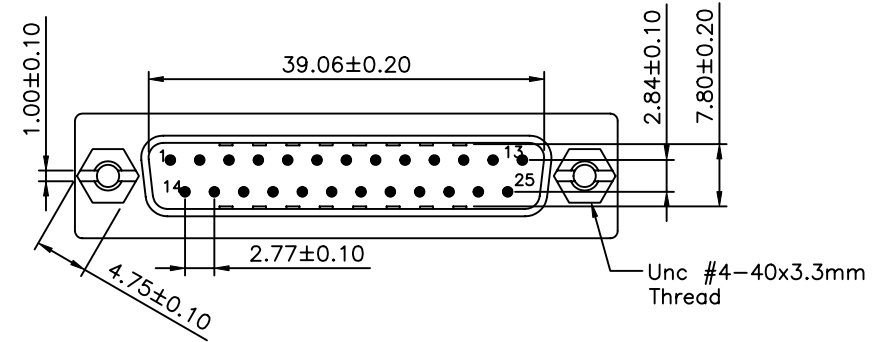


SPECIFICATION

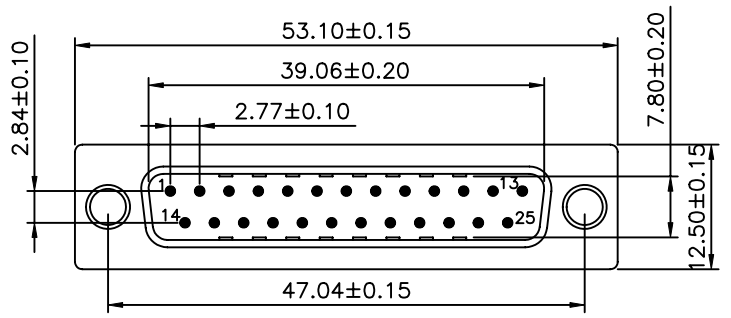
Current Rating: 3 AMP
 Dielectric Strength: 1000V For One Minute
 Insulation Resistance: 1000 Megaohms Min. At 500V DC
 Temperature: -55°C To +105°C
 Shell: Tin Plated
 Pin Contact: Brass, Gold Plated Over Nickel
 Insulator: PBT Glass Fibre Reinforced, UL 94V-0
 Label: Yellow Color With Black Character.
 One Side: Mini Gender Changer
 The Other Side: U.S.A. PATENT 5199906
 RoHS Compliant



D-SUB 25 M/M Gender Changer
 Pin Out : 25 Male 25 Male

1	-----	1
2	-----	2

24	-----	24
25	-----	25
G	-----	G



4UCON 元化興業股份有限公司
 4UCON TECHNOLOGY INC.

DRAWING No.		APPROVED BY		UNLESS OTHERWISE SPECIFIED					
05979		MEI		TOLERANCES ARE					
		CHECKED BY		.X ±0.20					
		HZF		.XX ±0.15					
		DRAWING BY		.XXX ±0.05					
		JLT		UNIT		△ A0 NEW RELEASE		HZF 07/15/2007	
SCALE	NONE	REV.	A0	mm		NO. REV.		REVISIONS	
				⊕		CHK		DATE	