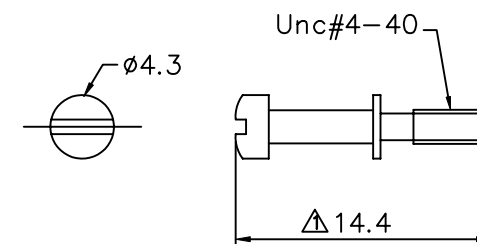
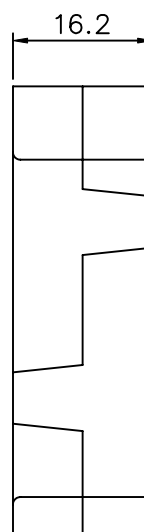
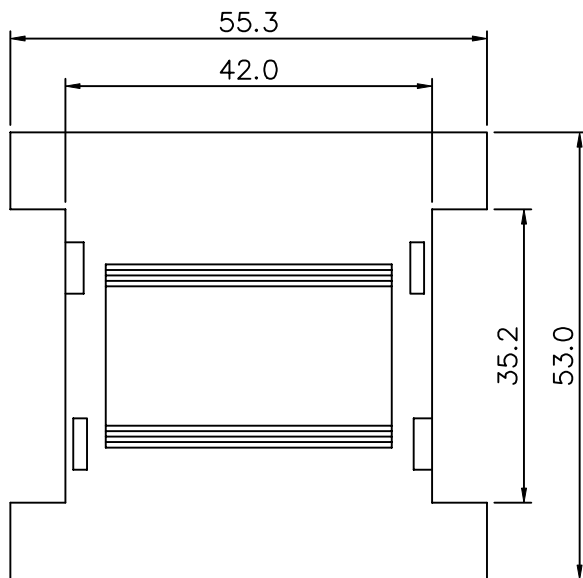
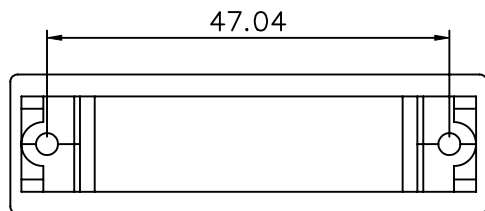


**SPECIFICATION**

Insulator: A.B.S. UL 94HB  
 Attached 4 Pcs Screw  
 Package: 1 Kit/Bag  
 Color: Gray  
 RoHS Compliant



**4UCON** 元化興業股份有限公司  
 4UCON TECHNOLOGY INC.

DRAWING No.

05994

APPROVED BY

MEI

CHECKED BY

RAN

DRAWING BY

HZF

UNLESS OTHERWISE SPECIFIED TOLERANCES ARE

.X ±0.20

.XX ±0.10

.XXX ±0.05

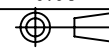
SCALE

NONE

REV.

A1

UNIT  
mm



△ A1	Modify Dim. And Part No.	SHIN	04/02/2007
△ A0	NEW RELEASE		

NO. REV.	REVISIONS	CHK	DATE
----------	-----------	-----	------