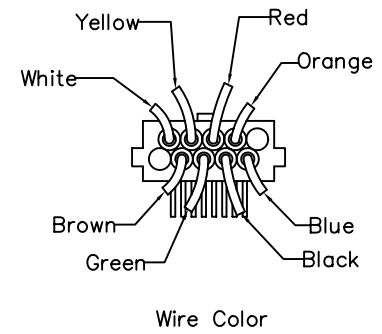
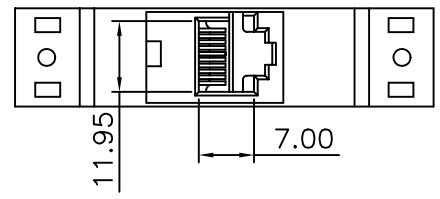
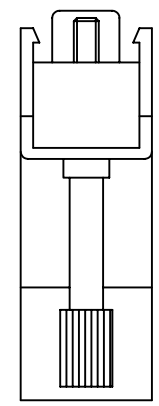
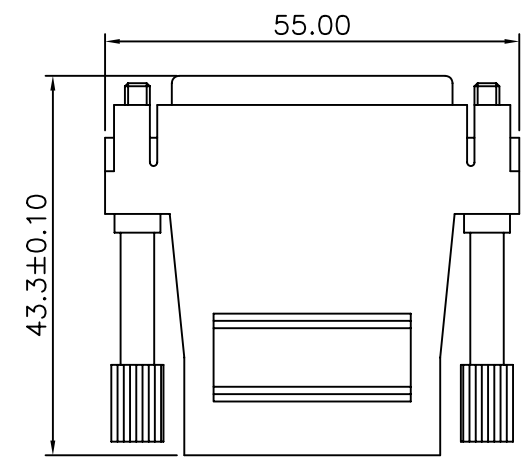


**SPECIFICATIONS :**  
 Insulator : ABS  
 Contact : Brass  
 Gold Flash Over 30~50 u" Nickel  
 Accepts Wire : 1061 #26



**4UCON** 元化興業股份有限公司  
 4UCON TECHNOLOGY INC.

DRAWING No.  
 06012

APPROVED BY MEI  
 CHECKED BY RAN  
 DRAWING BY HZF

UNLESS OTHERWISE SPECIFIED  
 TOLERANCES ARE  
 .X ±0.38  
 .XX ±0.25  
 .XXX

SCALE NONE

REV. A

UNIT mm

AREA	REVISIONS	CHK	DATE
------	-----------	-----	------