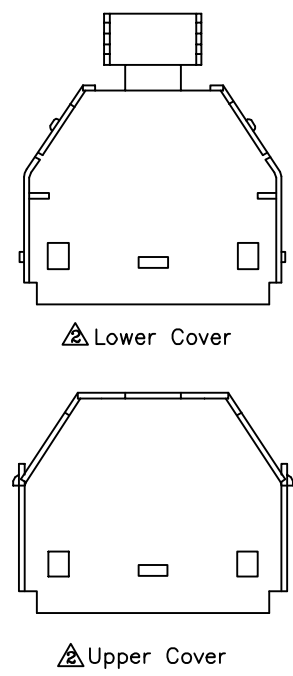
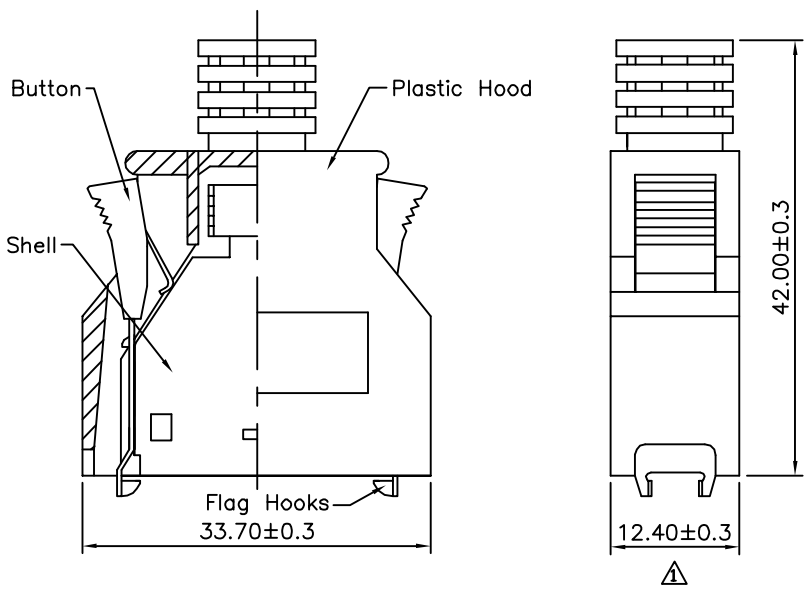


**△ SPECIFICATION**  
 Current Rating: 0.5 Amp  
 Dielectric Withstanding Voltage: 500V AC  
 Contact Resistance: 35 Milliohms Max.  
 Insulation Resistance: >500 Megaohms Min.  
 Operation Temperature: -55°C ~ +85°C  
 Insulator: PBT(UL94V-0), Black  
 Hood: ABS(UL94V-0), Beige  
 Latch Cover: ABS(UL94V-0), Beige  
 Contact: Phosphor Bronze, Selective Gold Plated  
 5u" Over Nickel  
 Front Shell: Steel, Nickel Plated Over Copper  
 Latch: Stainless Steel  
 Inner Shell: Steel, Nickel Plated Over Copper  
 RoHS Compliant



**4UCON** 元化興業股份有限公司  
 4UCON TECHNOLOGY INC.

DRAWING No.		APPROVED BY		UNLESS OTHERWISE SPECIFIED TOLERANCES ARE .X ±0.38 .XX ±0.25 ANG.
06083		EMILY		
		CHECKED BY HZF		
DRAWING BY		SONG		
SCALE	NONE	REV.	A2	UNIT mm

NO.	REV.	REVISIONS	CHK	DATE
△A2		Modify Data	HZF	09/10/2014
△A1		Modify Data	HZF	03/15/2013
△A0		NEW RELEASE	HZF	05/09/2011