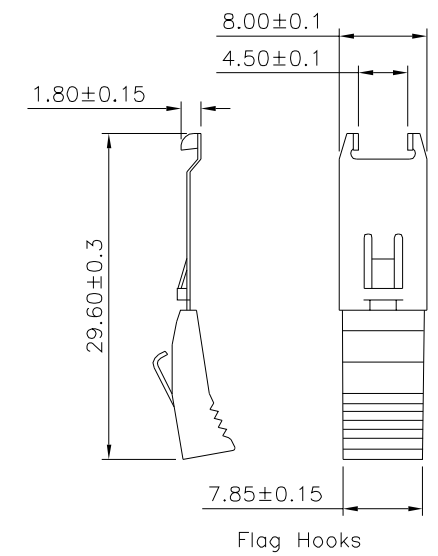
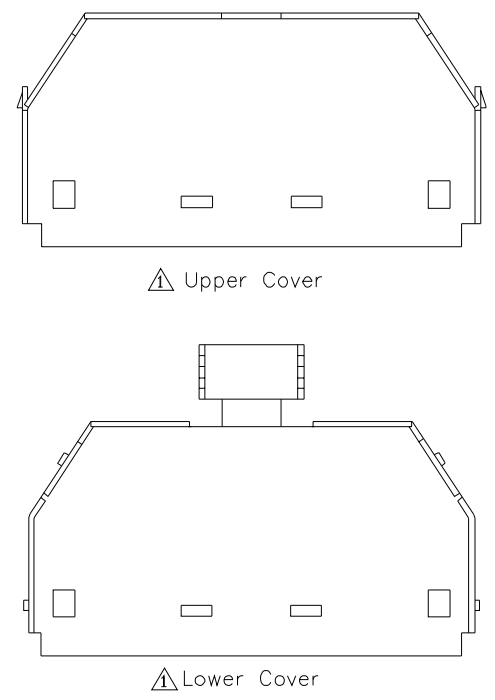
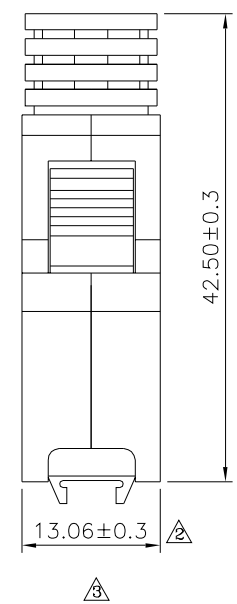
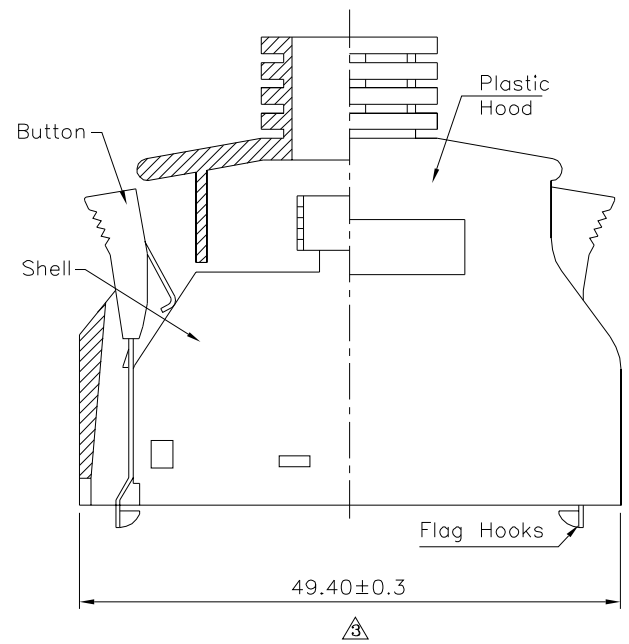
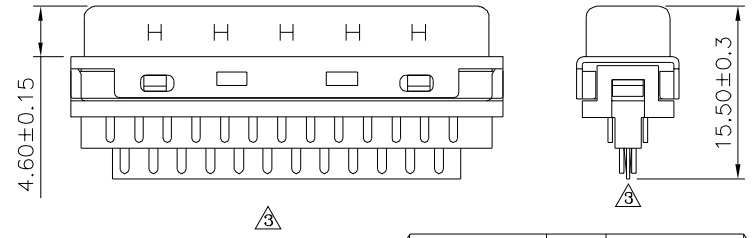
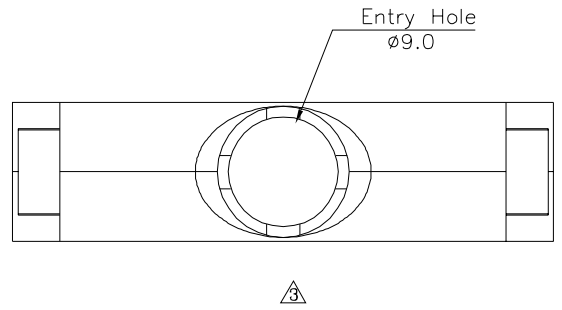
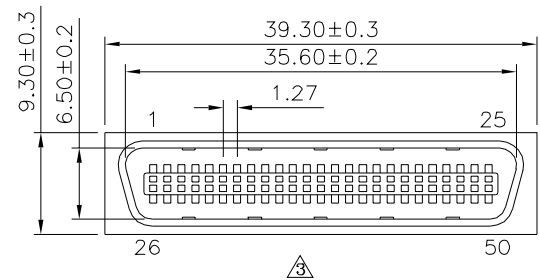


SPECIFICATION
 Contacts Current Rating:0.5 Amp
 Dielectric Withstanding Voltage:500V AC
 Contact Resistance:35 Milliohms Max.
 Insulation Resistance:>500 Megaohms Min.
 Operation Temperature:-55°C~+85°C
 Housing:PBT(UL94V-0),Black
 Contact:Phosphor Bronze
 Selective Gold Plated 5u" Over Nickel
 Front Shell:Steel,Nickel Plated Over Copper
 Hood:ABS(UL94V-0),Beige Color
 Latch Cover:ABS(UL94V-0),Beige Color
 Latch:Stainless Steel
 Inner Shell:Steel,Nickel Plated Over Copper
 RoHS Compliant



4UCON 元化興業股份有限公司
 4UCON TECHNOLOGY INC.

DRAWING No. 06105

APPROVED BY MEI
 CHECKED BY HZF
 DRAWING BY CYP
 REV. A3

UNLESS OTHERWISE SPECIFIED TOLERANCES ARE
 .X ±0.38
 .XX ±0.25
 ANG.
 UNIT mm

NO.	REV.	REVISIONS	CHK	DATE
	A3	Modify Data	HZF	06/13/2019
	A2	Modify Data	HZF	06/06/2017
	A1	Modify Data	HZF	11/04/2014
	A0	NEW RELEASE	HZF	10/06/2011