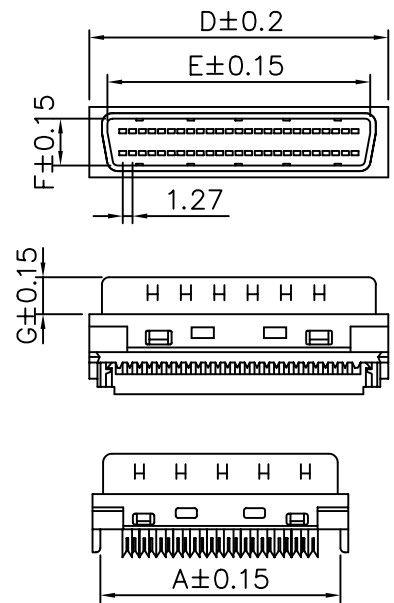
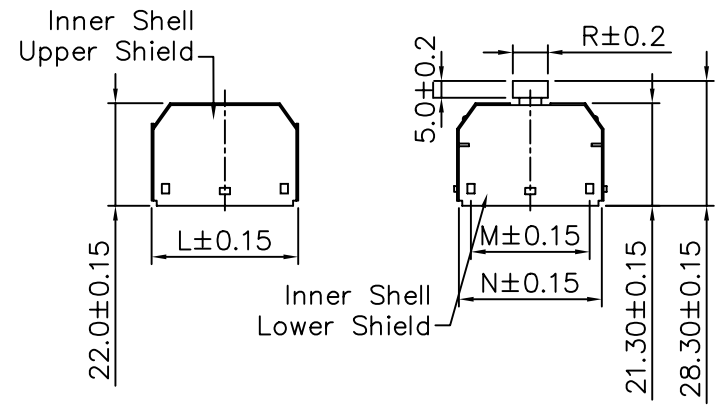
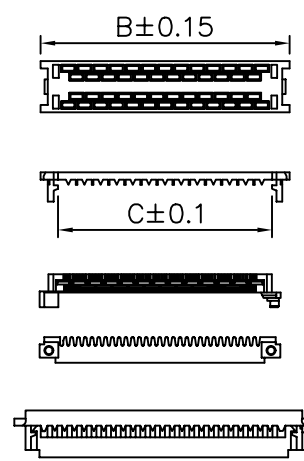
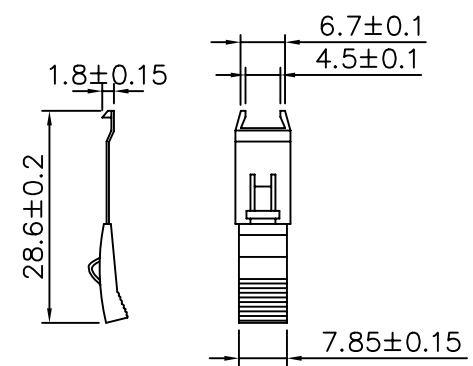
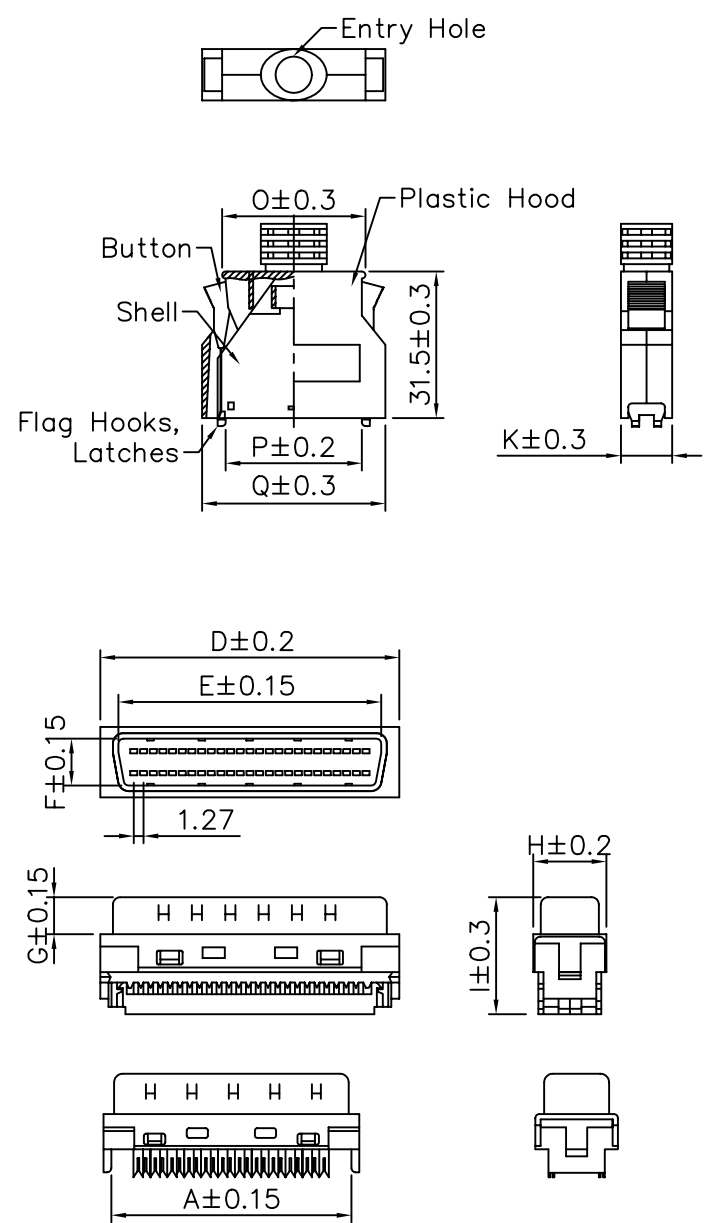


**SPECIFICATION**

Current Rating: 1A  
 Insulation Resistance : 500 Megohms/Min.  
 Withstanding Voltage : 500V AC/RMS For 1 Minute  
 Contact Resistance : 35 Milliohms Max.  
 Temperature Range : -55°C To +105°C  
 Housing And Cover: Plastic Thermoplastic  
 P.B.T UL 94V-0  
 Contact: Phosphor Bronze Gold Selective Plated  
 Front Shell : Steel, Nickel Plated Over Copper  
 Hood : Plastic ABS PA-769, Color: Beige  
 Inner Shell : Steel, Nickel Plated  
 Latch : Stainless Steel



Circuits	A	B	C	D	E	F	G	H	I
26	22.00	24.00	18.80	24.00	19.65	5.70	4.70	9.30	14.30
36	28.30	30.20	25.20	30.40	25.96	5.70	4.70	8.40	13.75
50	37.30	39.20	34.10	39.30	34.85	5.70	5.00	9.30	15.30
Circuits	K	L	M	N	O	P	Q	R	
26	12.60	25.00	18.80	23.95	25.10	25.20	34.00	9.50	
36	11.40	31.35	25.20	30.30	31.60	31.55	40.00	9.50	
50	12.60	40.35	34.10	39.35	40.60	40.75	49.40	9.50	

**4UCON** 元化興業股份有限公司  
 4UCON TECHNOLOGY INC.

DRAWING No.  
 06109

APPROVED BY MEI  
 CHECKED BY RAN  
 DRAWING BY HZF

UNLESS OTHERWISE SPECIFIED TOLERANCES ARE  
 .X ±0.38  
 .XX ±0.25  
 AWG.

SCALE NONE REV. A UNIT mm

AREA REVISIONS CHK DATE