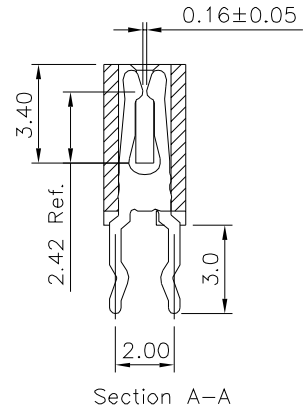
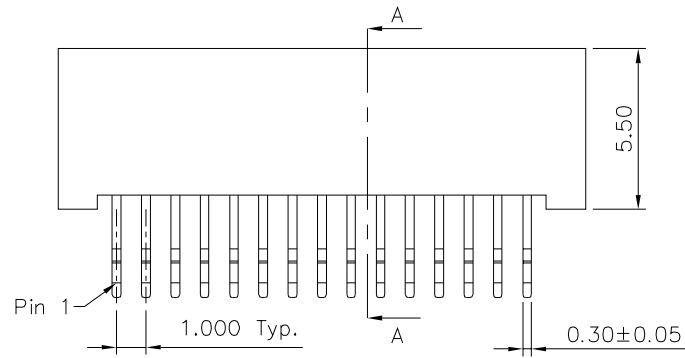
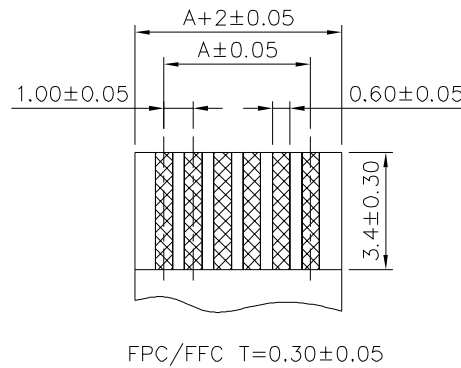
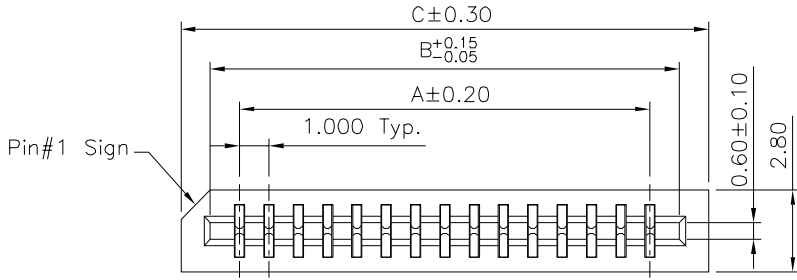
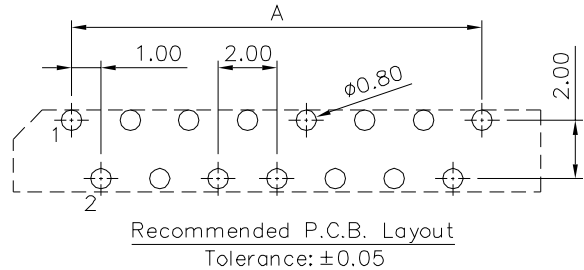


SPECIFICATION

- 1.General Characteristics**
1.0mm FPC XXP DIP 180° Non-ZIF Dual Contact
Reverse Layout Withstand High Temperature
- 2.Material&Finish**
Housing:PA9T(UL94V-0),Black
Contact:Phosphor Bronze,Tin Plated Over Nickel
- 3.Electrical Characteristics**
Current Rating:0.5A Max.
Voltage Rating:50V AC
Contact Resistance:30 Milliohms Max.(Initial)
50 Milliohms Max.(Final)
Insulation Resistance:500 Megaohms Min.(Initial) At 500V DC
Dielectric Voltage:500V AC For One Minute
- 4.Environmental Characteristics**
Temperature Range:-20°C~+85°C
- 5.RoHS Compliant**



| Pin | A | B | C | Pin | A | B | C |
|-----|-------|-------|-------|-----|-------|-------|-------|
| 03 | 2.00 | 4.10 | 6.00 | 18 | 17.00 | 19.10 | 21.00 |
| 04 | 3.00 | 5.10 | 7.00 | 19 | 18.00 | 20.10 | 22.00 |
| 05 | 4.00 | 6.10 | 8.00 | 20 | 19.00 | 21.10 | 23.00 |
| 06 | 5.00 | 7.10 | 9.00 | 21 | 20.00 | 22.10 | 24.00 |
| 07 | 6.00 | 8.10 | 10.00 | 22 | 21.00 | 23.10 | 25.00 |
| 08 | 7.00 | 9.10 | 11.00 | 23 | 22.00 | 24.10 | 26.00 |
| 09 | 8.00 | 10.10 | 12.00 | 24 | 23.00 | 25.10 | 27.00 |
| 10 | 9.00 | 11.10 | 13.00 | 25 | 24.00 | 26.10 | 28.00 |
| 11 | 10.00 | 12.10 | 14.00 | 26 | 25.00 | 27.10 | 29.00 |
| 12 | 11.00 | 13.10 | 15.00 | 27 | 26.00 | 28.10 | 30.00 |
| 13 | 12.00 | 14.10 | 16.00 | 28 | 27.00 | 29.10 | 31.00 |
| 14 | 13.00 | 15.10 | 17.00 | 29 | 28.00 | 30.10 | 32.00 |
| 15 | 14.00 | 16.10 | 18.00 | 30 | 29.00 | 31.10 | 33.00 |
| 16 | 15.00 | 17.10 | 19.00 | 32 | 31.00 | 33.10 | 35.00 |
| 17 | 16.00 | 18.10 | 20.00 | | | | |

4UCON 元化興業股份有限公司
4UCON TECHNOLOGY INC.

| | | | | |
|-------------|------|-------------|-----|--|
| DRAWING No. | | APPROVED BY | | UNLESS OTHERWISE SPECIFIED TOLERANCES ARE X. ± 0.40 .X ± 0.30 .XX ± 0.20 .XXX ± 0.10 |
| 06289 | | MEI | | |
| | | CHECKED BY | HZF | |
| | | DRAWING BY | CYP | |
| SCALE | NONE | REV. | BO | UNIT mm |

| | | | | | |
|-----|------|----|-------------|-----|------------|
| NO. | REV. | BO | NEW RELEASE | HZF | 09/01/2017 |
| | | | REVISIONS | CHK | DATE |