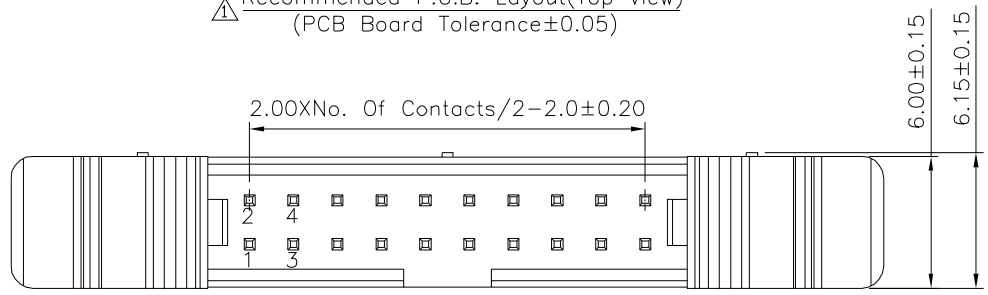
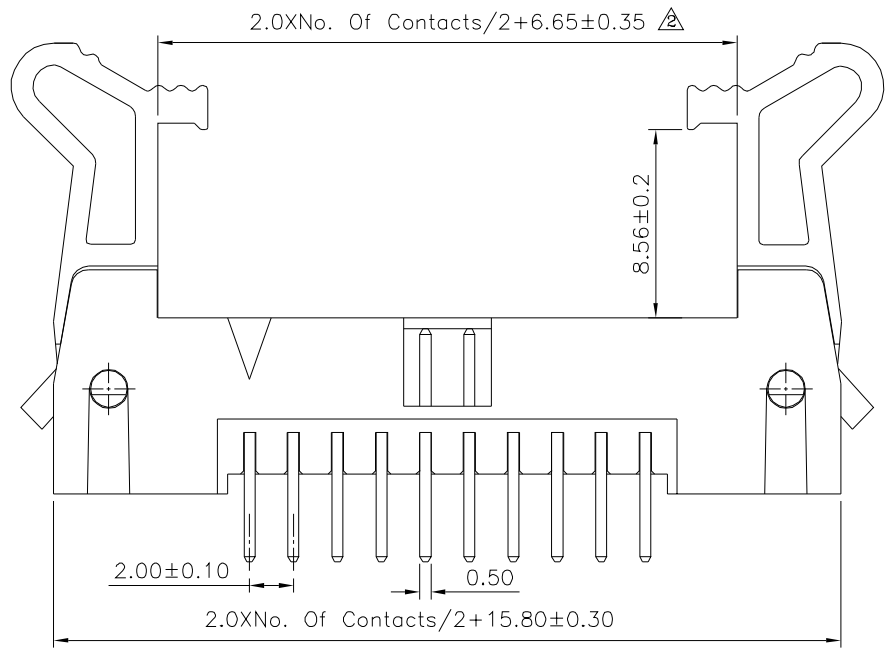


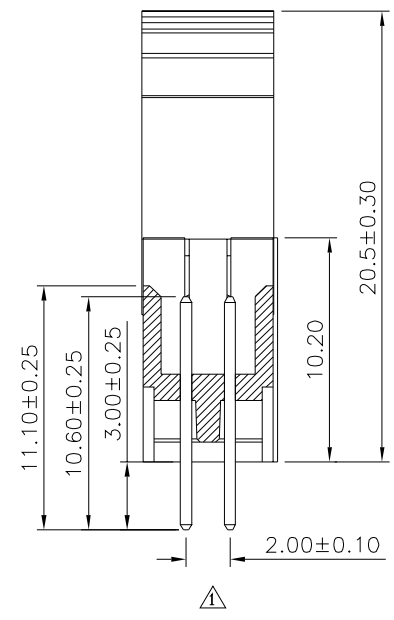
△ Recommended P.C.B. Layout (Top View)
(PCB Board Tolerance ±0.05)



△△



△△



△

△ SPECIFICATION

Current Rating: 1.5 Amps
 Withstanding Voltage: 500V Min. AC/Minute
 Contact Resistance: 20 Milliohms Max.
 Insulation Resistance: 1000 Megohms Min.
 Operation Temperature: -40°C ~ +105°C
 Insulator: PA6T(UL94V-0), Black
 Contact: Brass, Gold Flash Over Nickel
 RoHS Compliant

4UCON 元化興業股份有限公司
 4UCON TECHNOLOGY INC.

DRAWING No.		APPROVED BY		UNLESS OTHERWISE SPECIFIED TOLERANCES ARE X. ±0.25 X.* ±2° .X ±0.20 .X* ±1.5° .XX ±0.15 .XX* ±1° .XXX ±0.10 .XXX* ±0.5°	
07149		MEI			
		CHECKED BY	HZF		
		DRAWING BY	CYP		
SCALE	NONE	REV.	A3	UNIT	mm

NO.	REV.	REVISIONS	CHK	DATE
△3	A3	Modify Data	HZF	04/10/2019
△2	A2	Modify Data	HZF	05/07/2016
△1	A1	Modify Data	HZF	10/26/2015
△0	A0	NEW RELEASE	HZF	03/28/2013