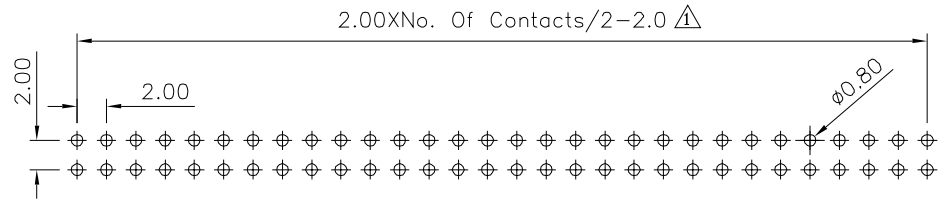
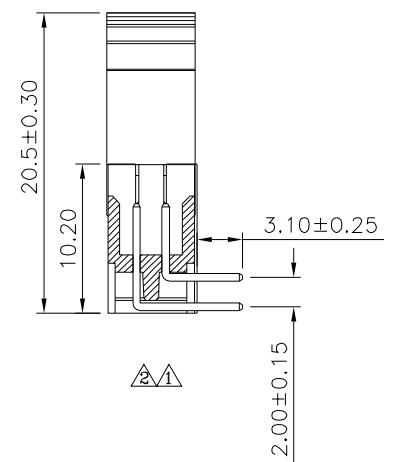
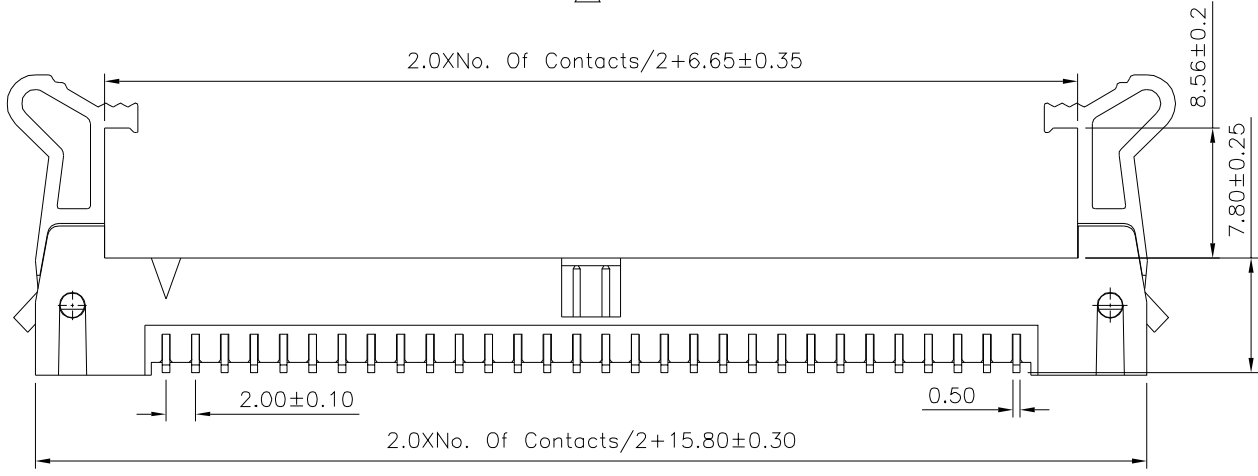
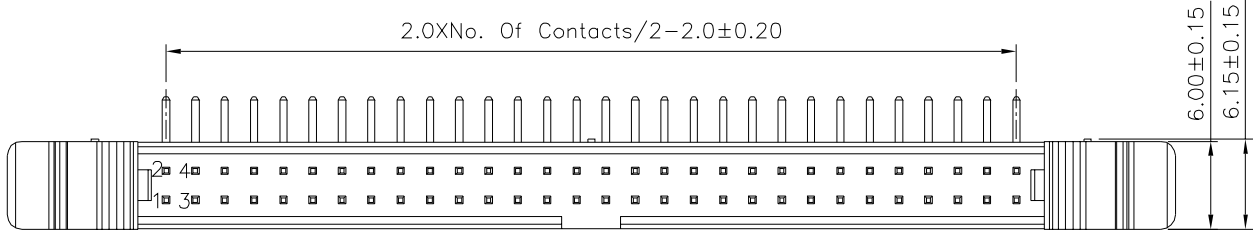


△ SPECIFICATION

Current Rating:1.5 Amps
 Withstanding Voltage:AC/DC 500V Min./Minute
 Contact Resistance:20 Milliohms Max.
 Insulation Resistance:1000 Megohms Min.
 Operation Temperature:-40°C~+105°C
 Insulator:PA6T+30%G.F.(UL94V-0),Black
 Contact:Brass,Gold Flash Over Nickel
 RoHS Compliant



Recommended P.C.B. Layout(Top View)
 (PCB Board Tolerance±0.05)



4UCON 元化興業股份有限公司
 4UCON TECHNOLOGY INC.

DRAWING No.		APPROVED BY		UNLESS OTHERWISE SPECIFIED TOLERANCES ARE	
07163		MEI		X. ±0.25	X.* ±2*
		CHECKED BY		.X ±0.20	.X* ±1.5*
		DRAWING BY		.XX ±0.15	.XX* ±1*
SCALE		REV.		UNIT	
NONE		A2		mm	

NO.	REV.	REVISIONS	CHK	DATE
△	A2	Modify Data	HZF	04/10/2019
△	A1	Modify Data	HZF	06/07/2016
△	A0	NEW RELEASE	HZF	06/02/2013