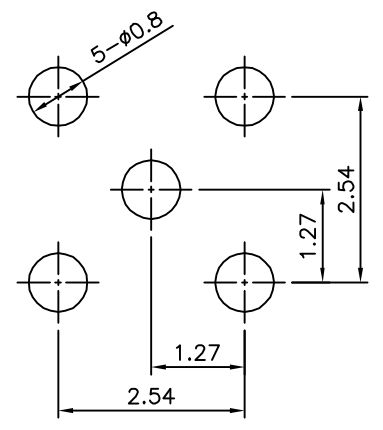
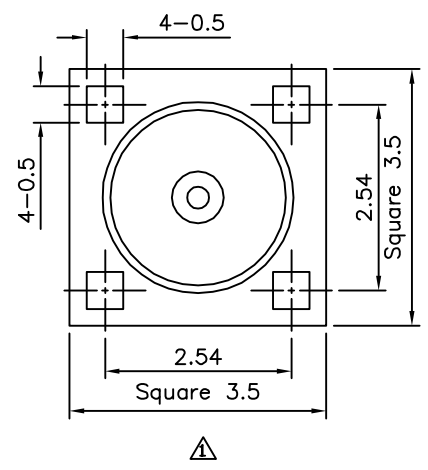
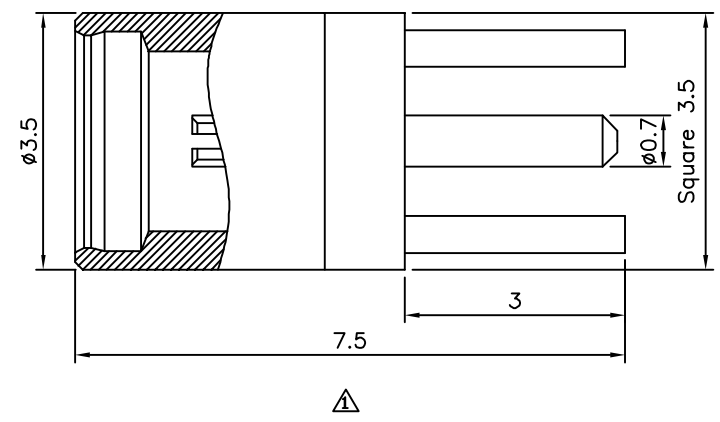


SPECIFICATION

Impedance: 50 Ohm
 Frequency Range: 0~6 GHz
 Working Voltage: 170V Max.
 Insulation Resistance: 500 Megaohms Min.
 Dielectric Withstanding Voltage: 500V Min.
 Contact Resistance: Center Contact: 10.0 Milliohms.
 Outer Contact: 5.0 Milliohms.
 Vswr: Straight: 1.3 Max.
 RoHS Compliant



Recommended Mounting Holes

Insulator	Teflon	1	——
Center Pin	Beryllium Copper	1	Gold Plated
Body	Brass	1	Gold Plated
Desctiption	Material	Q'ty	Finish

4UCON 元化興業股份有限公司
 4UCON TECHNOLOGY INC.

DRAWING No.		APPROVED BY		UNLESS OTHERWISE SPECIFIED TOLERANCES ARE △ X. ±0.2 .X ±0.2 .XX ±0.2
07248		MEI		
		CHECKED BY		
		HZF		
		DRAWING BY		
		WZL		
SCALE	NONE	REV.	A1	UNIT
				mm

NO.	REV.	REVISIONS	CHK	DATE
△ A1		Modify Data	HZF	02/25/2010
△ A0		NEW RELEASE	HZF	03/27/2006