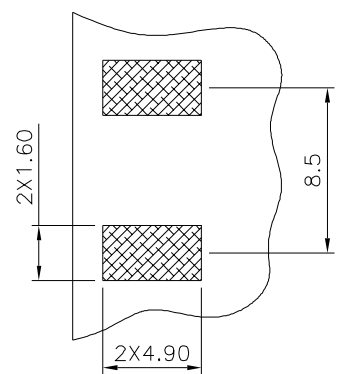


Top Surface Of PCB



Bottom Surface Of PCB

RoHS Compliant

No.	Material	Remark
①	Brass	Gold Flash Over Nickel
②	Teflon	
③	Beryllium Copper	Gold Plated 5u" Over All, Over Nickel

4UCON 元化興業股份有限公司
4UCON TECHNOLOGY INC.

DRAWING No.		APPROVED BY		UNLESS OTHERWISE SPECIFIED TOLERANCES ARE .X ±0.38 .XX ±0.25 ANG.
07255		MEI		
		CHECKED BY HZF		
DRAWING BY		CYP		
SCALE	NONE	REV.	A0	UNIT mm

△ A0	NEW RELEASE	HZF	05/16/2017
NO. REV.	REVISIONS	CHK	DATE