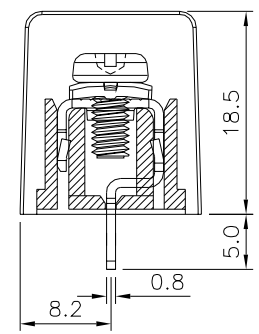
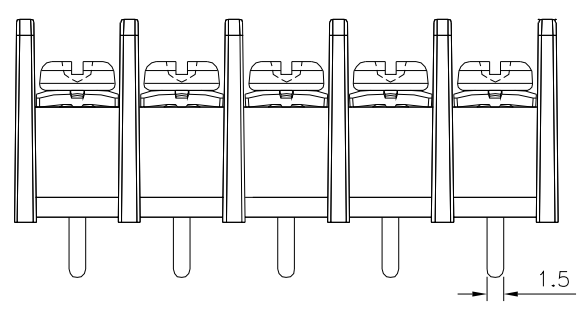
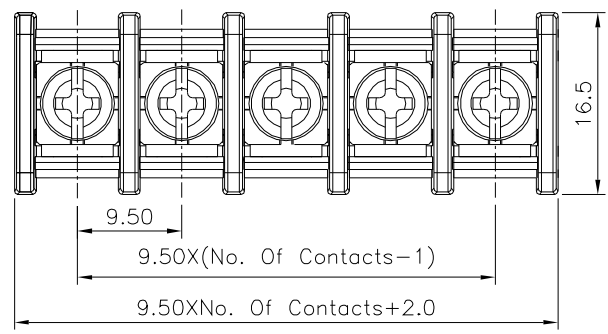


Recommended P.C.B. Layout



SPECIFICATION

Current Rating: 25 Amps/Way Max.
 Voltage Rating: 300V AC
 Contact Resistance: 20 Milliohms Max.
 Operation Temperature: -40°C ~ +105°C
 Soldering Reliability: Test Temperature: 250°C ± 10°C / 5s Max.
 Withstanding Voltage: 2500V AC (1 Minute)
 Test Time = 60s / 1 PCS
 Wire Range: 12 ~ 22 AWG
 Torque: 10 Kgf.cm / M3.5
 Insulator Body (Housing): PA66 + G.F. (UL94V-0), Black
 Terminals: Copper Alloy, Tin Plated
 Terminal Screw: Steel, Galvanized With Cr3+ Plated
 RoHS Compliant

4UCON

元化興業股份有限公司
 4UCON TECHNOLOGY INC.

DRAWING No. 07332

APPROVED BY MEI
 CHECKED BY HZF
 DRAWING BY CYP

UNLESS OTHERWISE SPECIFIED TOLERANCES ARE
 X. ±0.50
 .X ±0.30
 .XX ±0.20
 ANG. ±1°

SCALE NONE REV. A0

UNIT mm

| | | | | |
|------|------|-------------|-----|------------|
| NO. | REV. | REVISIONS | CHK | DATE |
| △ A0 | | NEW RELEASE | HZF | 05/10/2016 |