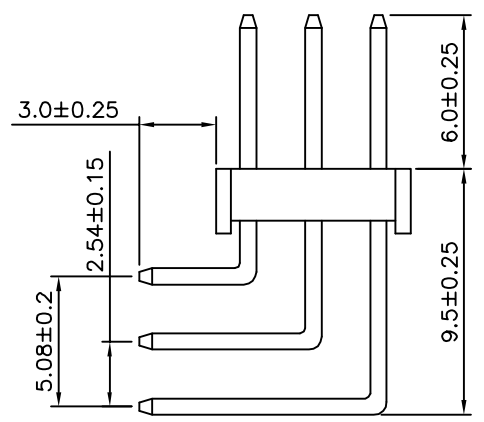
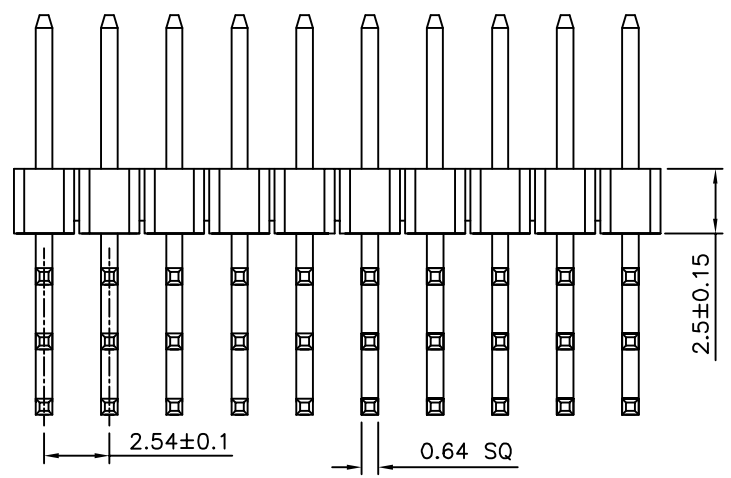
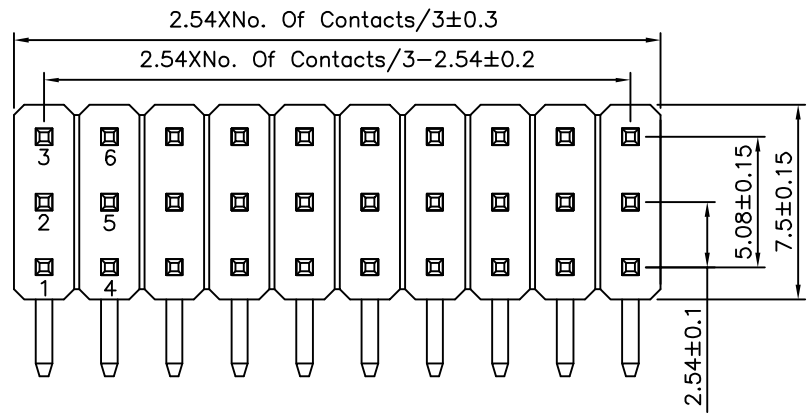


Recommended P.C.B. Layout (Top View)  
(PCB Board Tolerance ±0.05)



**SPECIFICATION**  
 Current Rating: 3 Amps  
 Withstand Voltage: 1000V AC  
 Contact Resistance: 20 Milliohms Max.  
 Insulation Resistance: 1000 Megaohms Min.  
 Operation Temperature: -40°C ~ +105°C  
 Contact: Brass, Gold Flash Over Nickel  
 Insulator: PA6T(UL94V-0), Black  
 RoHS Compliant

**4UCON** 元化興業股份有限公司  
 4UCON TECHNOLOGY INC.

DRAWING No.		APPROVED BY		UNLESS OTHERWISE SPECIFIED TOLERANCES ARE X. ±0.25 X.* ±2* .X ±0.20 .X* ±1.5* .XX ±0.15 .XX* ±1* .XXX ±0.10 .XXX* ±0.5*
07604		EMILY		
		CHECKED BY		
		HZF		
		DRAWING BY		
		CYP		
SCALE	NONE	REV.	A0	UNIT
				mm

NO.	REV.	DESCRIPTION	CHK	DATE
△ A0		NEW RELEASE	HZF	08/09/2014
		REVISIONS		