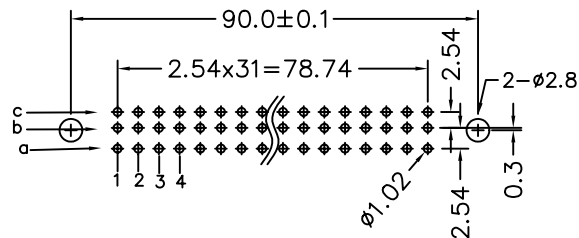
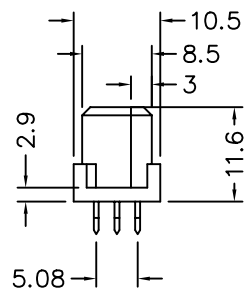
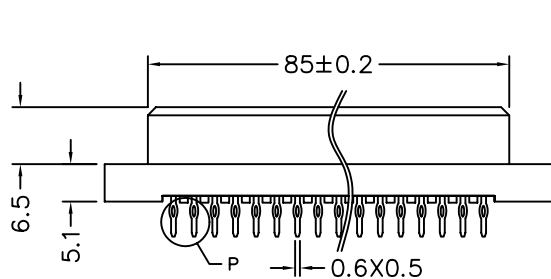
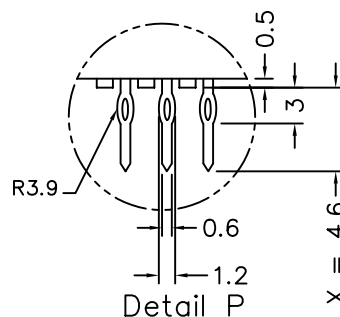
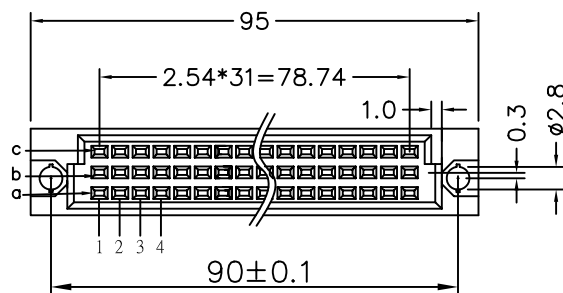


SPECIFICATIONS

Rating Current: 2 AMP
 Contact Resistance: 30 Milliohm Max. At DC 100mA
 Insulation Resistance: 1000 Megohm Min. at DC 500V
 Withstanding Voltage: AC 1000V at 1 minute
 Operating Temperature: -55°C to +105°C
 Insulator: PBT & 30% Glass Filled
 UL 94V-0
 Contact: Phosphor Bronze
 Gold Flash



P.C. Board Layout



Pitch	x length position	1		2		Contact Arrange
		4.6	6.3	13	17	
2.54mm	96	a	b c	[Contact Diagram]		[Contact Diagram]
	64	a	- c	[Contact Diagram]		[Contact Diagram]
	32	a	- -	[Contact Diagram]		[Contact Diagram]
5.08mm	48	a	b c	[Contact Diagram]		[Contact Diagram]
	32	a	- c	[Contact Diagram]		[Contact Diagram]
	16	a	- -	[Contact Diagram]		[Contact Diagram]

4UCON 元化興業股份有限公司
 4UCON TECHNOLOGY INC.

DRAWING No.
 07794

APPROVED BY MEI
 CHECKED BY RAN
 DRAWING BY HZF

UNLESS OTHERWISE SPECIFIED
 TOLERANCES ARE
 .X ±0.38
 .XX ±0.25
 AWG.

SCALE NONE REV. A

UNIT mm

AREA REVISIONS CHK DATE