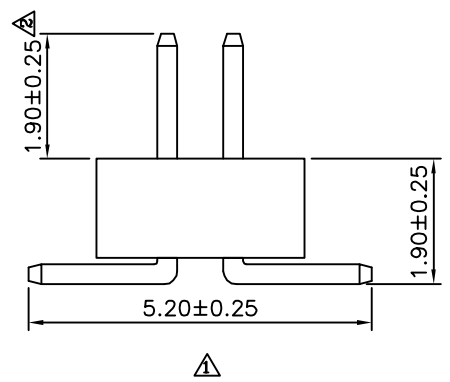
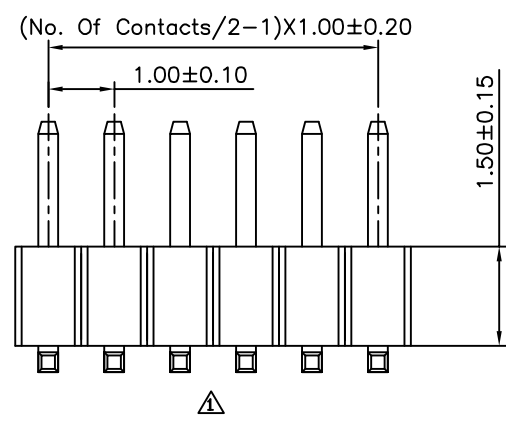


△ SPECIFICATION
 Current:1A
 Operation Temperature: -55°C~+105°C
 Contact Resistance:20 Milliohms Max.
 Insulation Resistance:5000 Megaohms Min.
 Dielectric Strength:1000V AC Minute
 Housing:PA6T(UL94V-0),Black
 Contact:Copper Alloys,Gold Flash Over Nickel
 No. Of Contacts:04~100 Contacts
 RoHS Compliant



4UCON 元化興業股份有限公司
 4UCON TECHNOLOGY INC.

DRAWING No.		APPROVED BY		UNLESS OTHERWISE SPECIFIED TOLERANCES ARE .X ±0.38 .XX ±0.25 ANG. ±5°
08083		EMILY		
		CHECKED BY HZF		
SCALE NONE		DRAWING BY GAO		
REV.	A2	UNIT mm		

NO.	REV.	REVISIONS	CHK	DATE
△A2		Modify Dim.	HZF	05/05/2012
△A1		Modify Data	HZF	03/14/2012
△A0		NEW RELEASE	HZF	06/27/2007