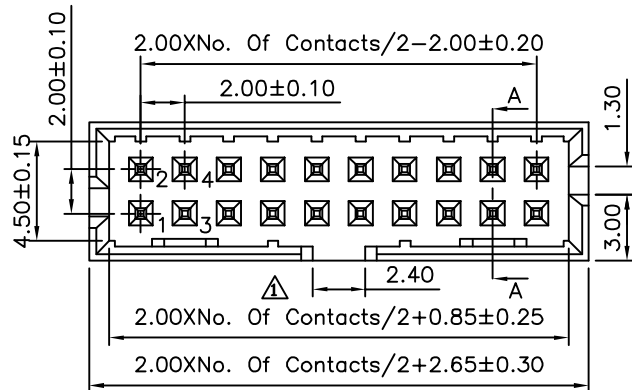
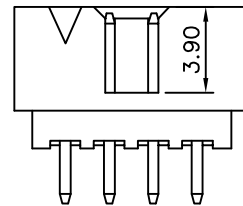
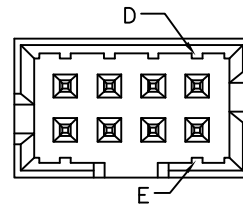
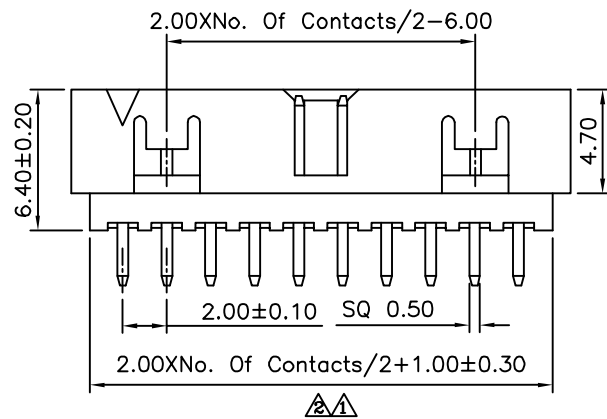


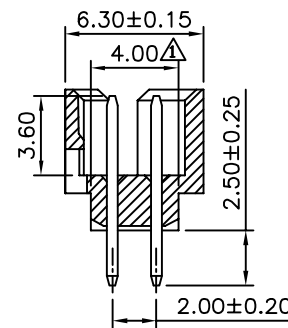
Recommended P.C.B. Layout (Top Side)
(PCB Board Tolerance ± 0.05)



14, 16, 20, 24, 26, 30, 34, 40, 44, 50, 60 Pin



6, 8, 10 Pin
(6 Pin Without Identification "D", "E")



Section A-A

SPECIFICATION

Current Rating: 2.0 Amp
 Withstand Voltage: 500V AC/DC
 Contact Resistance: 20 Milliohms Max.
 Insulation Resistance: 1000 Megaohms Min.
 Operation Temperature: $-40^{\circ}\text{C} \sim +105^{\circ}\text{C}$
 Contact: Brass, Gold Flash Over All, Over Nickel
 Insulator: PA9T+30%G.F. (UL94V-0), Black
 RoHS Compliant

4UCON 元化興業股份有限公司
 4UCON TECHNOLOGY INC.

DRAWING No.

08192

APPROVED BY

EMILY

CHECKED BY

HZF

DRAWING BY

GAO

SCALE

NONE

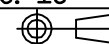
REV.

A2

UNLESS OTHERWISE SPECIFIED

TOLERANCES ARE
 .X ± 0.40
 .XX ± 0.25
 .XXX ± 0.15
 ANG. $\pm 3^{\circ}$

UNIT
 mm



NO.	REV.	REVISIONS	CHK	DATE
A2		Modify Data	HZF	11/21/2012
A1		Modify Data	HZF	07/30/2010
A0		NEW RELEASE	SHIN	05/23/2007