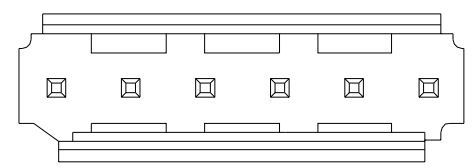
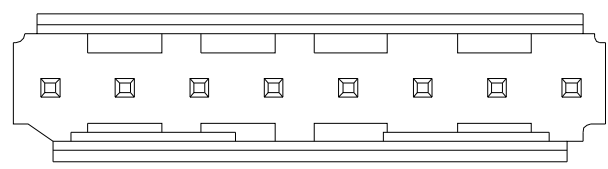


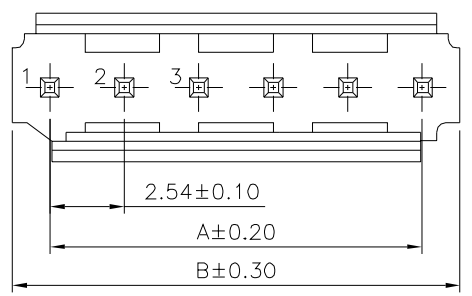
Recommended P.C.B. Layout(Top Side)
(PCB Board Tolerance±0.05)



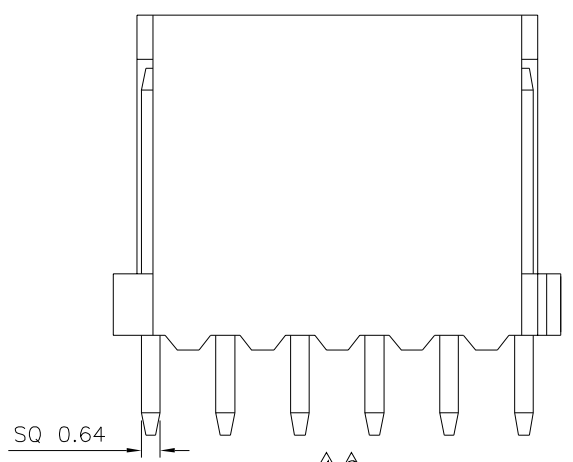
2P~6P



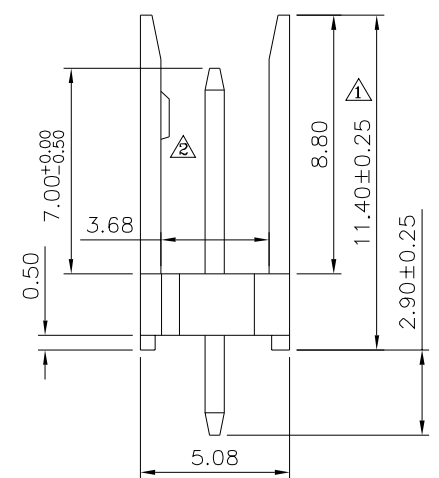
7P~20P



2P



2P



2P

△ SPECIFICATION

- △ Voltage Rating:250V
- △ Current Rating:3A
- △ Withstand Voltage:1000V AC/Minute
- △ Contact Resistance:20 Milliohms Max.
- △ Insulation Resistance:1000 Megaohms Min.
- △ Operation Temperature:-25°C~+85°C
- △ Insulator:PA66(UL94V-0),Black
- △ Contact:Brass,Tin Plated Over Nickel
- △ RoHS Compliant

Pin	A	B
02	2.54	5.08
03	5.08	7.62
04	7.62	10.16
05	10.16	12.70
06	12.70	15.24
07	15.24	17.78
08	17.78	20.32
09	20.32	22.86
10	22.86	25.40
11	25.40	27.94
12	27.94	30.48
13	30.48	33.02
14	33.02	35.56
15	35.56	38.10
16	38.10	40.64
17	40.64	43.18
18	43.18	45.72
19	45.72	48.26
20	48.26	50.80

4UCON 元化興業股份有限公司
4UCON TECHNOLOGY INC.

DRAWING No.		APPROVED BY		UNLESS OTHERWISE SPECIFIED TOLERANCES ARE .X ±0.40 .XX ±0.25 .XXX ±0.15 ANG. ±3°
08359		MEI		
		CHECKED BY	HZF	
		DRAWING BY	CYP	
SCALE	NONE	REV.	A4	UNIT mm

NO.	REV.	REVISIONS	CHK	DATE
△4	A4	Modify Data	HZF	03/09/2018
△3	A3	Modify Data	HZF	07/17/2014
△2	A2	Modify Data	HZF	05/25/2013
△1	A1	Modify Data	HZF	03/26/2012
△0	A0	NEW RELEASE	HZF	08/01/2011