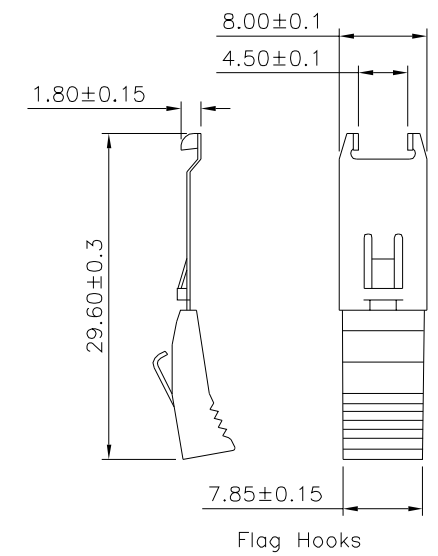
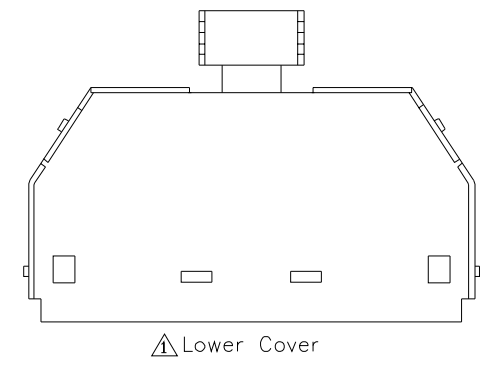
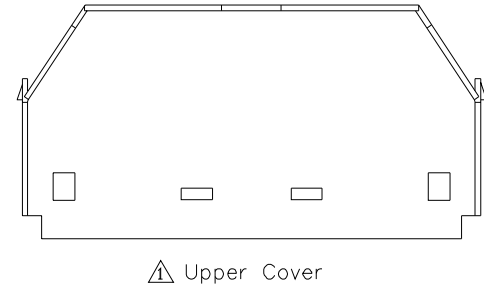
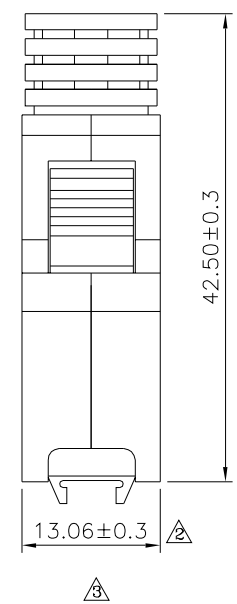
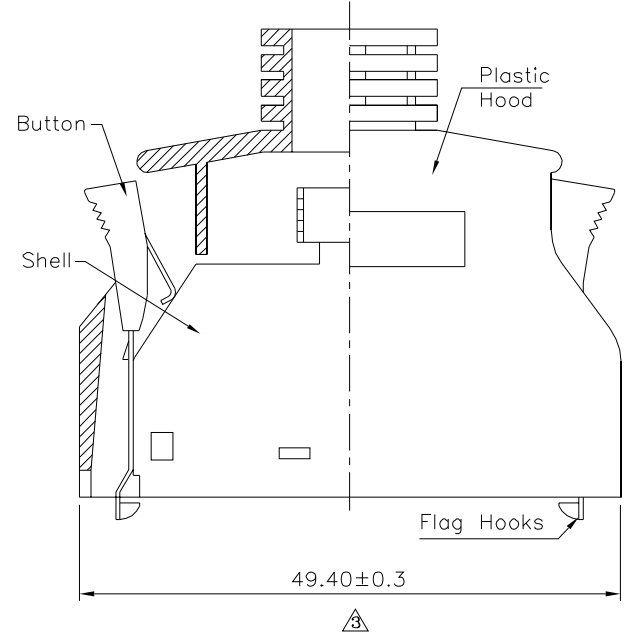
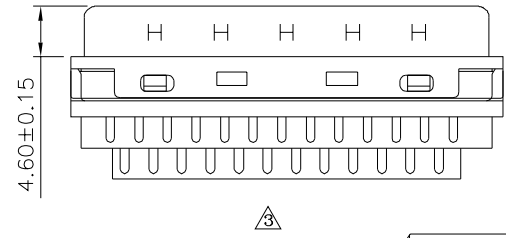
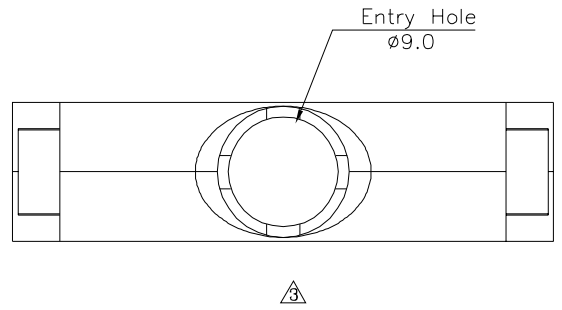
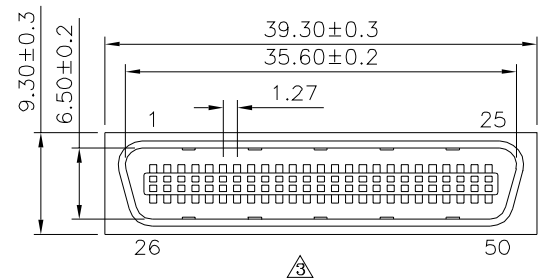


SPECIFICATION
 Contacts Current Rating:0.5 Amp
 Dielectric Withstanding Voltage:500V AC
 Contact Resistance:35 Milliohms Max.
 Insulation Resistance:>500 Megaohms Min.
 Operation Temperature:-55°C~+85°C
 Housing:PBT(UL94V-0),Black
 Contact:Phosphor Bronze
 Selective Gold Plated 5u" Over Nickel
 Front Shell:Steel,Nickel Plated Over Copper
 Hood:ABS(UL94V-0),Beige Color
 Latch Cover:ABS(UL94V-0),Beige Color
 Latch:Stainless Steel
 Inner Shell:Steel,Nickel Plated Over Copper
 RoHS Compliant



4UCON 元化興業股份有限公司
 4UCON TECHNOLOGY INC.

DRAWING No. 08438

APPROVED BY MEI
 CHECKED BY HZF
 DRAWING BY CYP

UNLESS OTHERWISE SPECIFIED TOLERANCES ARE
 .X ±0.38
 .XX ±0.25
 ANG.

SCALE NONE

REV. A3

UNIT mm

NO.	REV.	REVISIONS	CHK	DATE
3	A3	Modify Data	HZF	06/13/2019
2	A2	Modify Data	HZF	06/06/2017
1	A1	Modify Data	HZF	11/04/2014
0	A0	NEW RELEASE	HZF	10/06/2011