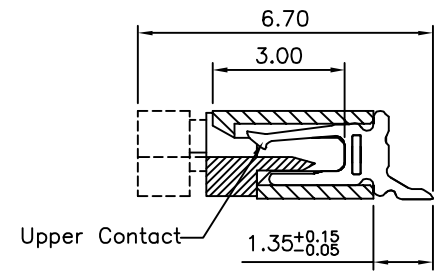
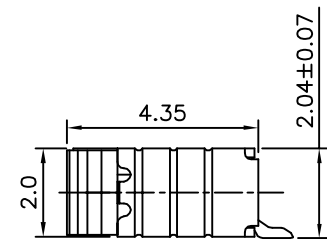
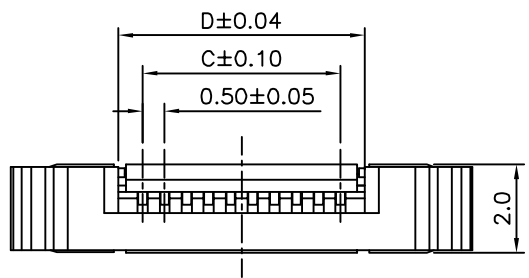
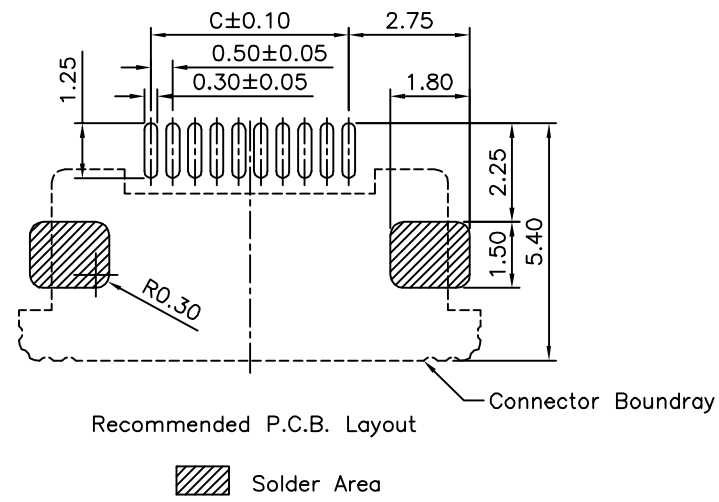
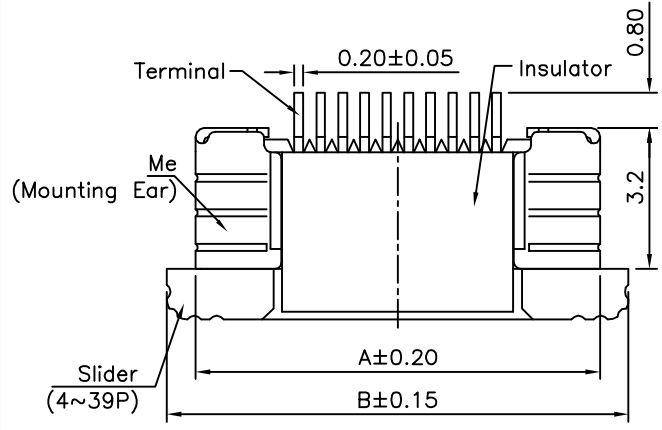


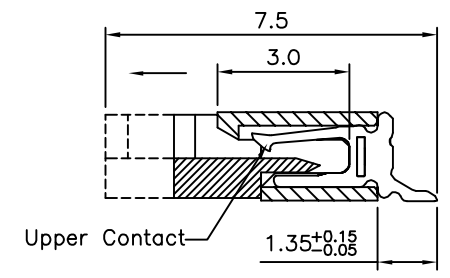
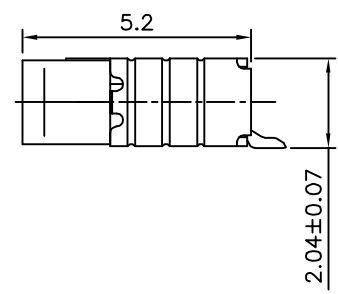
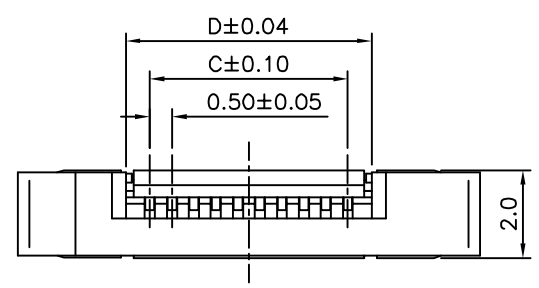
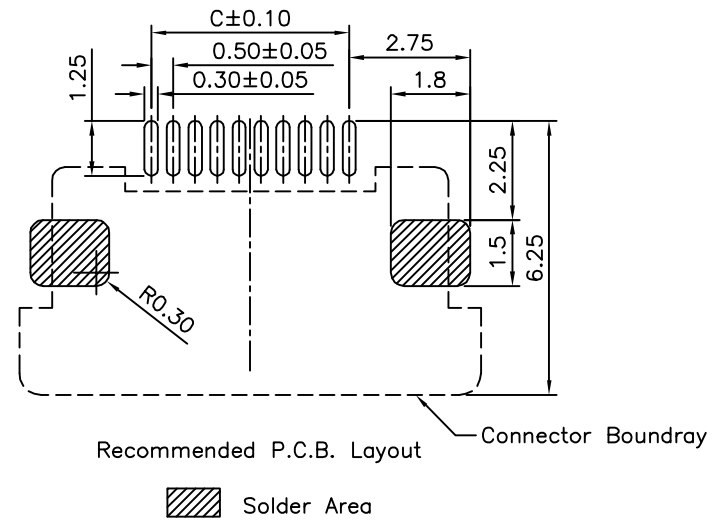
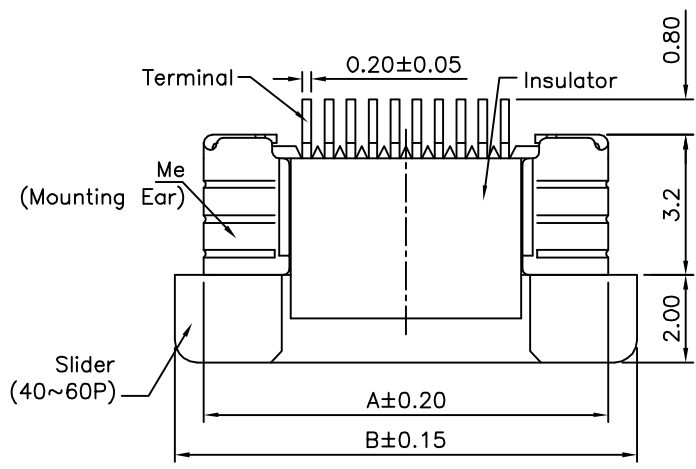
SPECIFICATION

- 1.General Characteristics:**
0.5mm FPC XXP SMT 90° ZIF Top Contact
- 2.Material&Finish:**
Insulator:PA9T,UL94V-0,Ivory
Slider:PPS,UL94V-0,Black
Terminal:Phosphor Bronze,Tin Plated Over Nickel
Me:Brass,Tin Plated Over Nickel
- 3.Electrical Characteristics:**
Operating Voltage:50V Max.
Current Rating:0.5 Amp Max.
Contact Resistance:20 Milliohms Max.
Insulation Resistance:50 Megaohms Min.
Dielectric Withstanding Voltage:250V AC RMS.
- 4.Environmental Characteristics:**
Operation Temperature:-20°C~+85°C
Processing Temperature:245°C±5°C For 30s
- 5.Other**
Accommodated FFC/FPC Thickness:0.30±0.03mm
- 6.RoHS Compliant**



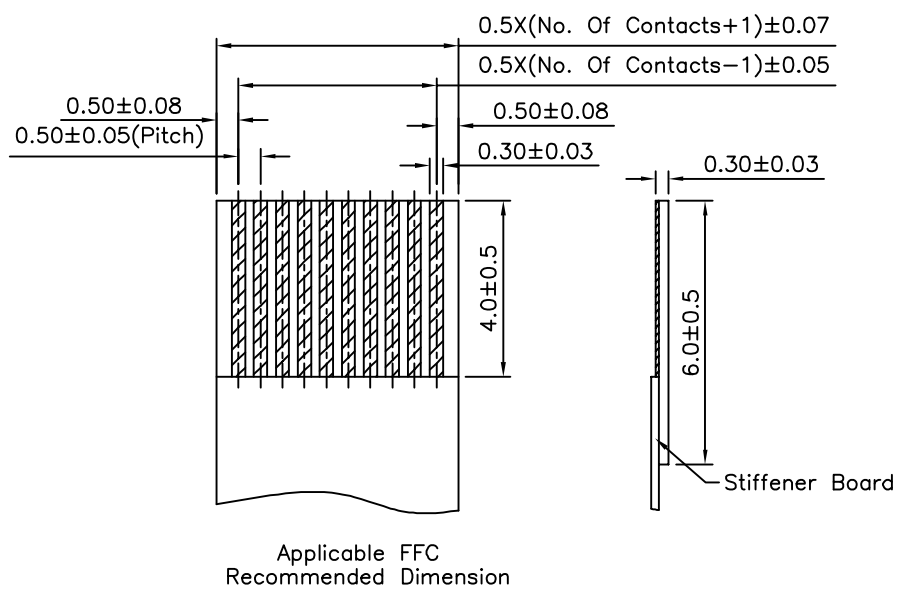
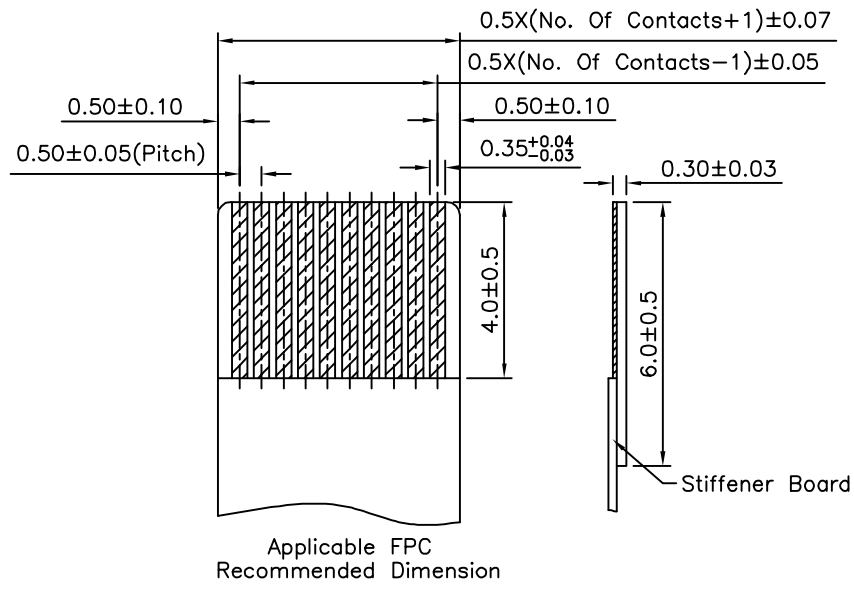
4UCON 元化興業股份有限公司
4UCON TECHNOLOGY INC.

| | | | | | | | | | |
|-------------|------|-------------|----|--|----|---------|-------------|-----|------------|
| DRAWING No. | | APPROVED BY | | UNLESS OTHERWISE SPECIFIED TOLERANCES ARE .X ±0.35 .XX ±0.20 | | | | | |
| 08626 | | MEI | | | | | | | |
| | | CHECKED BY | | | | | | | |
| | | HZF | | | | | | | |
| | | DRAWING BY | | | | | | | |
| | | SONG | | | | | | | |
| SCALE | NONE | REV. | BO | UNIT | mm | BO | NEW RELEASE | HZF | 07/15/2013 |
| | | | | | | NO.REV. | REVISIONS | CHK | DATE |



4UCON 元化興業股份有限公司
4UCON TECHNOLOGY INC.

| | | | | | | | | | |
|-------------|------|-------------|----|--|----|----------|-------------|-----|------------|
| DRAWING No. | | APPROVED BY | | UNLESS OTHERWISE SPECIFIED TOLERANCES ARE .X ±0.35 .XX ±0.20 | | | | | |
| 08626 | | MEI | | | | | | | |
| | | CHECKED BY | | | | | | | |
| | | HZF | | | | | | | |
| | | DRAWING BY | | | | | | | |
| | | SONG | | | | | | | |
| SCALE | NONE | REV. | BO | UNIT | mm | BO | NEW RELEASE | HZF | 07/15/2013 |
| | | | | | | NO. REV. | REVISIONS | CHK | DATE |



| Pin | A | B | C | D |
|-----|-------|-------|-------|-------|
| 4 | 6.20 | 7.50 | 1.50 | 2.62 |
| 5 | 6.70 | 8.00 | 2.00 | 3.12 |
| 6 | 7.20 | 8.50 | 2.50 | 3.62 |
| 7 | 7.70 | 9.00 | 3.00 | 4.12 |
| 8 | 8.20 | 9.50 | 3.50 | 4.62 |
| 9 | 8.70 | 10.00 | 4.00 | 5.12 |
| 10 | 9.20 | 10.50 | 4.50 | 5.62 |
| 11 | 9.70 | 11.00 | 5.00 | 6.12 |
| 12 | 10.20 | 11.50 | 5.50 | 6.62 |
| 13 | 10.70 | 12.00 | 6.00 | 7.12 |
| 14 | 11.20 | 12.50 | 6.50 | 7.62 |
| 15 | 11.70 | 13.00 | 7.00 | 8.12 |
| 16 | 12.20 | 13.50 | 7.50 | 8.62 |
| 17 | 12.70 | 14.00 | 8.00 | 9.12 |
| 18 | 13.20 | 14.50 | 8.50 | 9.62 |
| 19 | 13.70 | 15.00 | 9.00 | 10.12 |
| 20 | 14.20 | 15.50 | 9.50 | 10.62 |
| 21 | 14.70 | 16.00 | 10.00 | 11.12 |
| 22 | 15.20 | 16.50 | 10.50 | 11.62 |
| 23 | 15.70 | 17.00 | 11.00 | 12.12 |
| 24 | 16.20 | 17.50 | 11.50 | 12.62 |
| 25 | 16.70 | 18.00 | 12.00 | 13.12 |
| 26 | 17.20 | 18.50 | 12.50 | 13.62 |
| 27 | 17.70 | 19.00 | 13.00 | 14.12 |
| 28 | 18.20 | 19.50 | 13.50 | 14.62 |
| 29 | 18.70 | 20.00 | 14.00 | 15.12 |
| 30 | 19.20 | 20.50 | 14.50 | 15.62 |
| 31 | 19.70 | 21.00 | 15.00 | 16.12 |
| 32 | 20.20 | 21.50 | 15.50 | 16.62 |
| 33 | 20.70 | 22.00 | 16.00 | 17.12 |
| 34 | 21.20 | 22.50 | 16.50 | 17.62 |
| 35 | 21.70 | 23.00 | 17.00 | 18.12 |
| 36 | 22.20 | 23.50 | 17.50 | 18.62 |
| 37 | 22.70 | 24.00 | 18.00 | 19.12 |
| 38 | 23.20 | 24.50 | 18.50 | 19.62 |
| 39 | 23.70 | 25.00 | 19.00 | 20.12 |
| 40 | 24.20 | 25.50 | 19.50 | 20.62 |
| 41 | 24.70 | 26.00 | 20.00 | 21.12 |
| 42 | 25.20 | 26.50 | 20.50 | 21.62 |
| 43 | 25.70 | 27.00 | 21.00 | 22.12 |
| 44 | 26.20 | 27.50 | 21.50 | 22.62 |
| 45 | 26.70 | 28.00 | 22.00 | 23.12 |
| 46 | 27.20 | 28.50 | 22.50 | 23.62 |
| 47 | 27.70 | 29.00 | 23.00 | 24.12 |
| 48 | 28.20 | 29.50 | 23.50 | 24.62 |
| 49 | 28.70 | 30.00 | 24.00 | 25.12 |
| 50 | 29.20 | 30.50 | 24.50 | 25.62 |
| 51 | 29.70 | 31.00 | 25.00 | 26.12 |
| 52 | 30.20 | 31.50 | 25.50 | 26.62 |
| 53 | 30.70 | 32.00 | 26.00 | 27.12 |
| 54 | 31.20 | 32.50 | 26.50 | 27.62 |
| 55 | 31.70 | 33.00 | 27.00 | 28.12 |
| 56 | 32.20 | 33.50 | 27.50 | 28.62 |
| 57 | 32.70 | 34.00 | 28.00 | 29.12 |
| 58 | 33.20 | 34.50 | 28.50 | 29.62 |
| 59 | 33.70 | 35.00 | 29.00 | 30.12 |
| 60 | 34.20 | 35.50 | 29.50 | 30.62 |

4UCON 元化興業股份有限公司
 4UCON TECHNOLOGY INC.

| | | | | |
|-------------|------|-----------------|----|--|
| DRAWING No. | | APPROVED BY | | UNLESS OTHERWISE SPECIFIED TOLERANCES ARE .X ±0.35 .XX ±0.20 |
| 08626 | | MEI | | |
| | | CHECKED BY HZF | | |
| | | DRAWING BY SONG | | |
| SCALE | NONE | REV. | BO | UNIT mm |

| | | | |
|----------|-------------|-----|------------|
| △ BO | NEW RELEASE | HZF | 07/15/2013 |
| NO. REV. | REVISIONS | CHK | DATE |