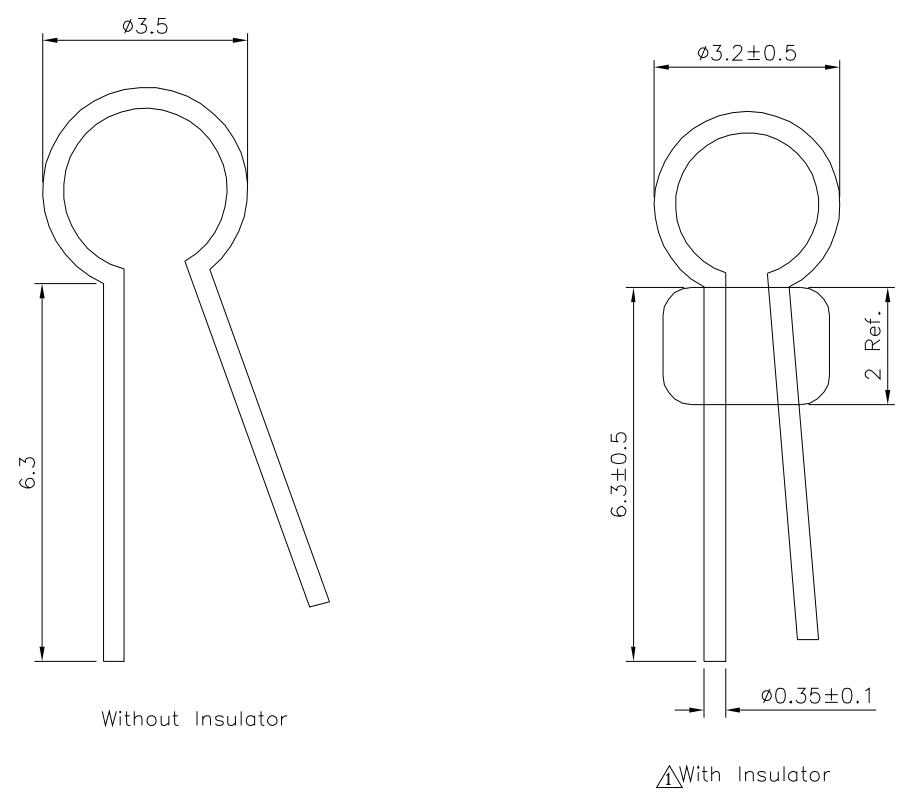


**SPECIFICATION**  
 Insulator:PBT  
 Contact:Phosphor Bronze,Gold Plated Over Nickel  
 RoHS Compliant



Item No.	Insulator Color
08741	Black
08743	White
08742	Yellow
08740	Blue
08739	Green
08738	Red

**4UCON** 元化興業股份有限公司  
 4UCON TECHNOLOGY INC.

DRAWING No.		APPROVED BY		UNLESS OTHERWISE SPECIFIED TOLERANCES ARE .X ±0.5 .XX ±0.5 ANG.
08738		EMILY		
		CHECKED BY HZF		
SCALE		DRAWING BY		UNIT
NONE	REV.	SONG		mm
	A1			

NO.	REV.	REVISIONS	CHK	DATE
△	A1	Modify Data	HZF	04/10/2021
△	A0	NEW RELEASE	HZF	03/01/2012