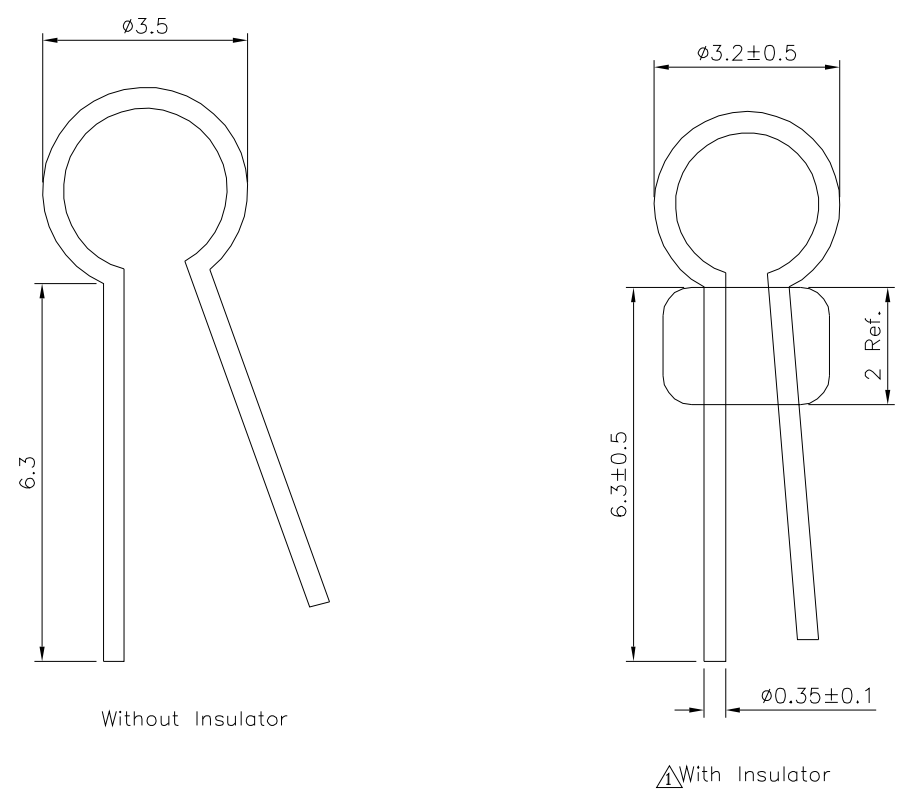


SPECIFICATION
 Insulator:PBT
 Contact:Phosphor Bronze,Gold Plated Over Nickel
 RoHS Compliant



Item No.	Insulator Color
08741	Black
08743	White
08742	Yellow
08740	Blue
08739	Green
08738	Red

4UCON 元化興業股份有限公司
 4UCON TECHNOLOGY INC.

DRAWING No.		APPROVED BY	
08743		EMILY	
		CHECKED BY	
		HZF	
DRAWING BY		SONG	
SCALE	NONE	REV.	A1

UNLESS OTHERWISE SPECIFIED TOLERANCES ARE			
.X ±0.5			
.XX ±0.5			
ANG.			
UNIT	mm		
NO.	REV.	REVISIONS	DATE
△A1		Modify Data	HZF 04/10/2021
△A0		NEW RELEASE	HZF 03/01/2012