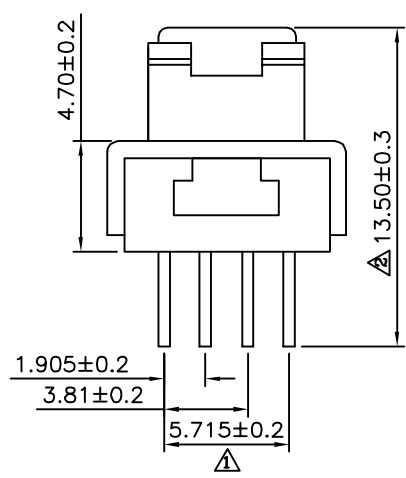
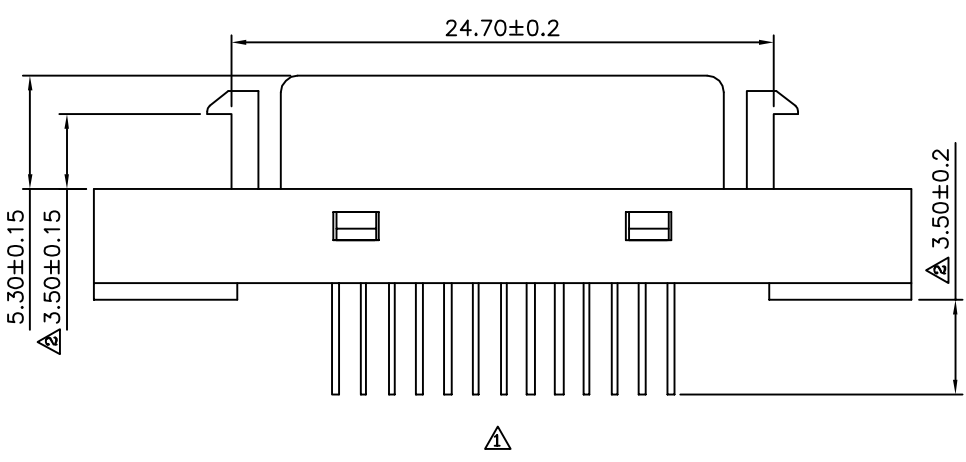
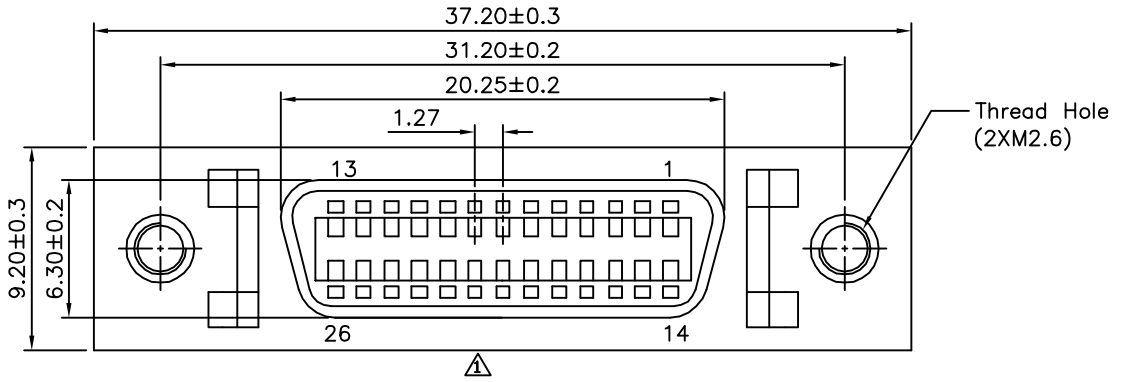


△△ SPECIFICATION
 Current Rating:0.5 Amp
 Withstand Voltage:500V AC
 Contact Resistance:35 Milliohms Max.
 Insulation Resistance:>500 Megaohms Min.
 Operation Temperature Range:-55°C~+85°C
 Insulator:PBT(UL94V-0),Black
 Contact:Phosphor Bronze
 Selective Gold Plated 5u" Over Nickel
 Front Shell:Steel,Nickel Plated Over Copper
 Bracket:Zinc Alloy,Nickel Plated Over Copper
 RoHS Compliant



4UCON 元化興業股份有限公司
 4UCON TECHNOLOGY INC.

DRAWING No.		APPROVED BY		UNLESS OTHERWISE SPECIFIED TOLERANCES ARE .X ±0.38 .XX ±0.25 ANG
08747		MEI		
		CHECKED BY		
		HZF		
		DRAWING BY		
		CYP		
SCALE	NONE	REV.	A2	UNIT
				mm

NO.	REV.	REVISIONS	CHK	DATE
△A2		Modify Data	HZF	12/03/2014
△A1		Modify Data	HZF	10/20/2011
△A0		NEW RELEASE	HZF	05/19/2009