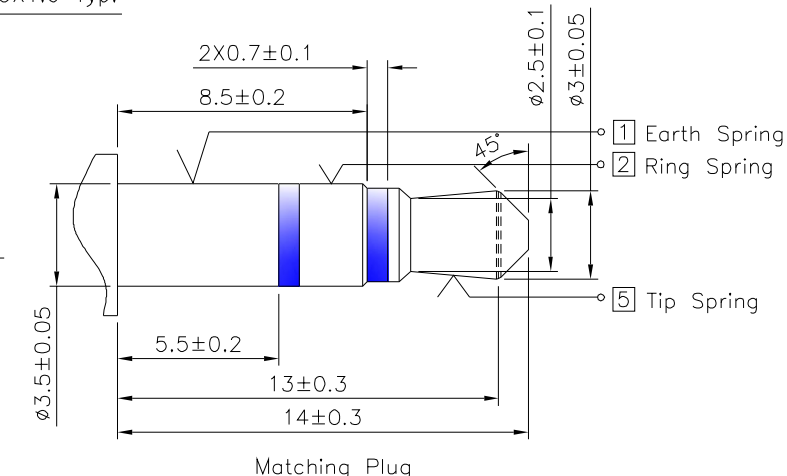
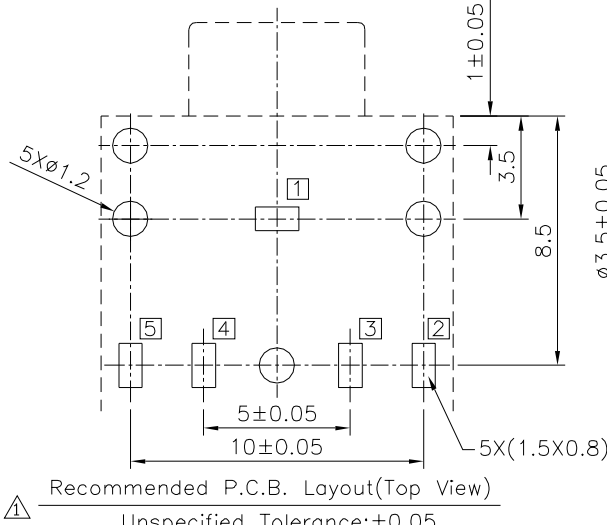
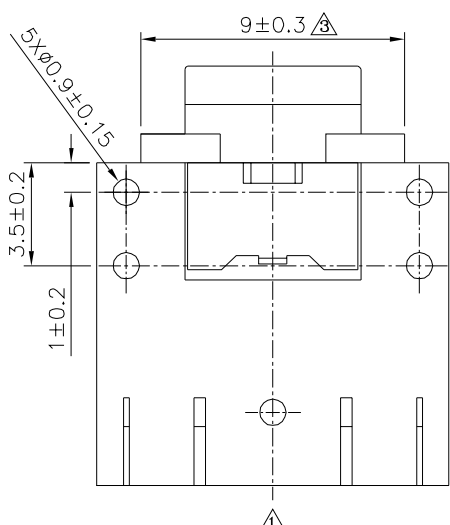


**△ SPECIFICATION**  
 Rating:DC 30V,1A  
 Contact Resistance:50 Milliohms Max.  
 After Test:100 Milliohms Max.  
 Insulation Resistance:100 Megaohms Min.(DC 500V)  
 After Test:50 Megaohms Min.  
 Withstand Voltage:500V AC  
 Operation Temperature Range:-20°C~+70°C  
 RoHS Compliant



Model No.	08780	05545	08779
Schematic			

○:Item No. □:Terminal No.

⑦	Bushing	1	Brass	Nickel Plated
⑥	Tip Spring	5	Stainless Steel	Tin Plated
⑤	Shunt Terminal	4	Brass	Tin Plated
④	Shunt Terminal	3	Brass	Tin Plated
③	Ring Spring	2	Stainless Steel	Tin Plated
②	Earth Spring	1	Brass	Tin Plated
①	Housing	1	PBT(UL94V-0)	Black
No.	Description	Q'ty	Material	Remark

**4UCON** 元化興業股份有限公司  
 4UCON TECHNOLOGY INC.

DRAWING No. △		APPROVED BY	
08779		MEI	
		CHECKED BY	
		HZF	
DRAWING BY		CYP	
SCALE	NONE	REV.	C3

UNLESS OTHERWISE SPECIFIED TOLERANCES ARE

.X ±0.50	X.* ±3.0*	△ C3	Modify Data	HZF	08/07/2023
.XX ±0.30	.X.* ±1.5*	△ C2	Modify Data	HZF	11/21/2017
.XXX ±0.15	.XX.* ±1.0*	△ C1	Modify Data	HZF	03/27/2015
		△ C0	Modify Data	HZF	09/20/2012
		△ C0	NEW RELEASE	HZF	09/20/2012
NO.	REV.	REVISIONS		CHK	DATE