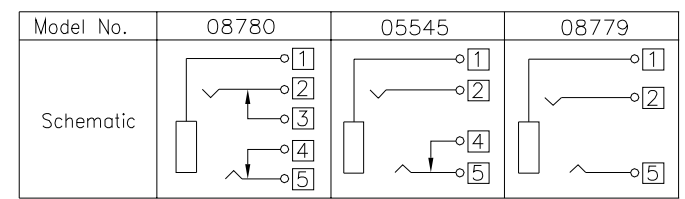
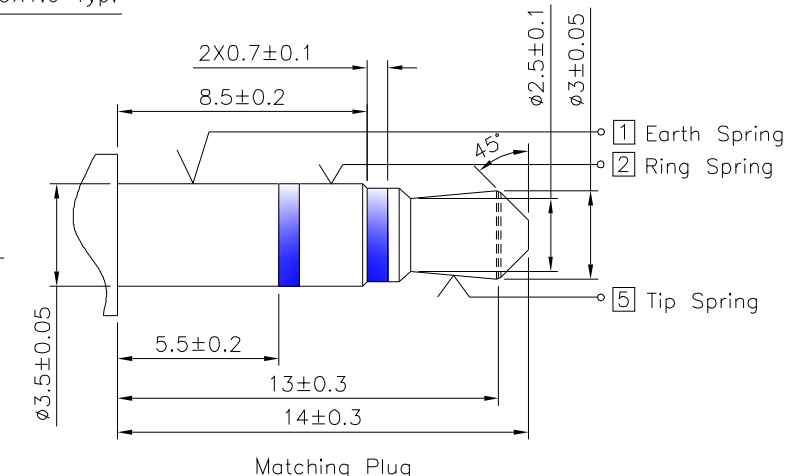
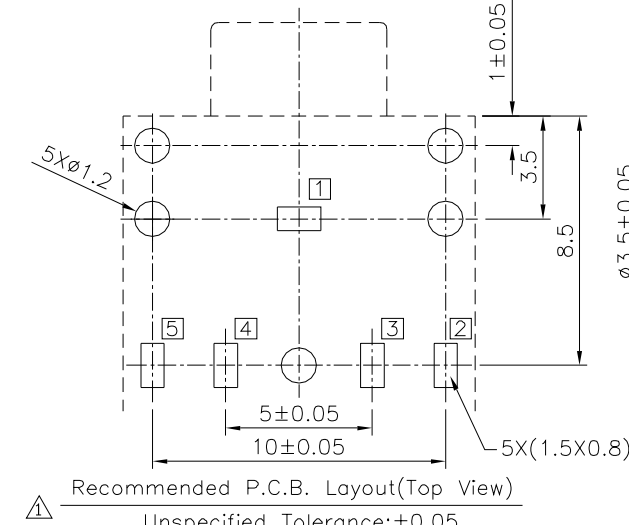
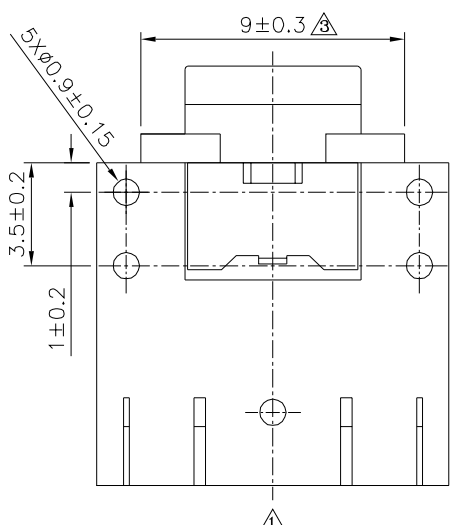


△ SPECIFICATION
 Rating:DC 30V,1A
 Contact Resistance:50 Milliohms Max.
 After Test:100 Milliohms Max.
 Insulation Resistance:100 Megaohms Min.(DC 500V)
 After Test:50 Megaohms Min.
 Withstand Voltage:500V AC
 Operation Temperature Range:-20°C~+70°C
 RoHS Compliant



○:Item No. □:Terminal No.

⑦	Bushing	1	Brass	Nickel Plated
⑥	Tip Spring	⑤	1	Stainless Steel Tin Plated
⑤	Shunt Terminal	④	1	Brass Tin Plated
④	Shunt Terminal	③	1	Brass Tin Plated
③	Ring Spring	②	1	Stainless Steel Tin Plated
②	Earth Spring	①	1	Brass Tin Plated
①	Housing	1	PBT(UL94V-0)	Black
No.	Description	Q'ty	Material	Remark

4UCON 元化興業股份有限公司
 4UCON TECHNOLOGY INC.

DRAWING No. △		APPROVED BY	
08780		MEI	
		CHECKED BY	
		HZF	
DRAWING BY		CYP	
SCALE	NONE	REV.	C3

UNLESS OTHERWISE SPECIFIED TOLERANCES ARE		△ C3	Modify Data	HZF	08/07/2023
.X ±0.50 X.* ±3.0*		△ C2	Modify Data	HZF	11/21/2017
.XX ±0.30 .X.* ±1.5*		△ C1	Modify Data	HZF	03/27/2015
.XXX ±0.15 .XX.* ±1.0*		△ C0	Modify Data	HZF	09/20/2012
UNIT mm		△ C0	NEW RELEASE	HZF	09/20/2012
		NO.REV.	REVISIONS	CHK	DATE