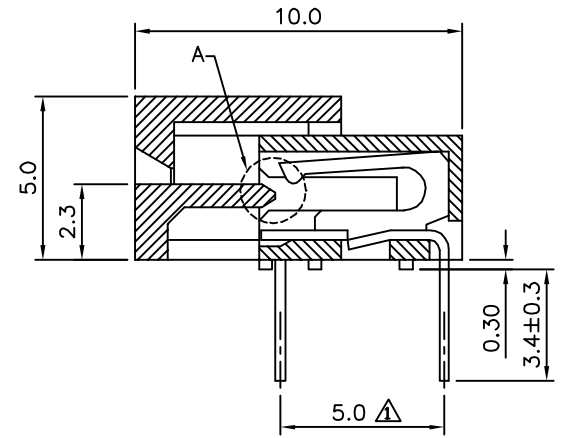
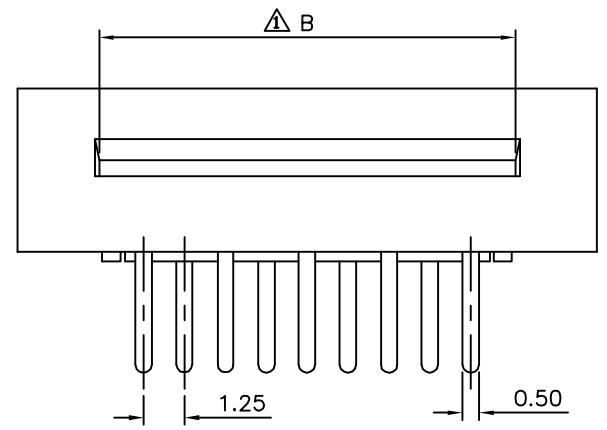
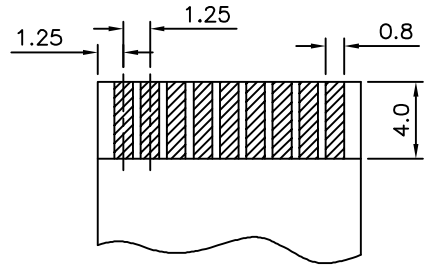
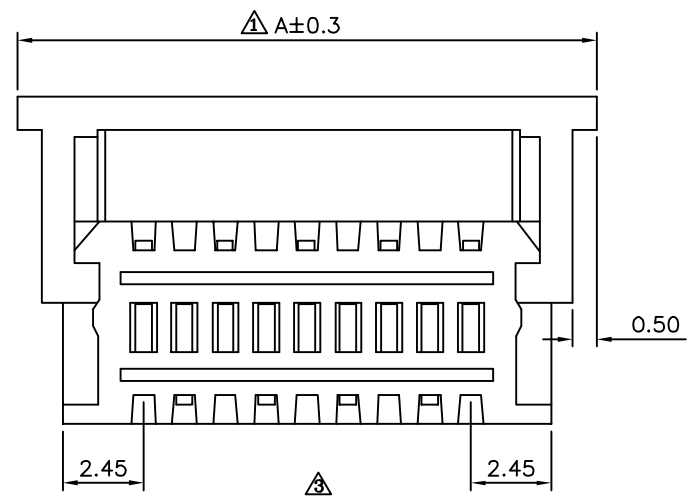


**△ SPECIFICATION**

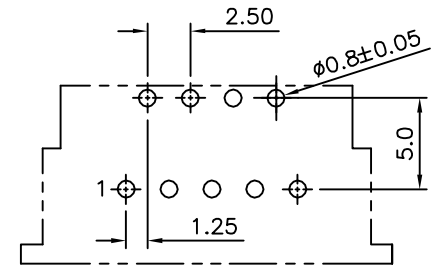
- △△ 1. General Characteristics:**  
1.25mm FPC XXP DIP 90° ZIF Upper  
Contact Standard Layout White Insulator
- 2. Material&Finish:**  
Housing:PBT(UL94V-0),White  
Terminal:Phosphor Bronze,Tin Plated Over Nickel
- 3. Electrical Characteristics**  
Current Rating:1 Amp AC/DC  
Voltage Rating:200V AC/DC  
Contact Resistance:20 Milliohms Max.  
Insulation Resistance:500 Megaohms Min.  
Dielectric Strength:500V AC For 1 Minute
- 4. Environmental Characteristics**  
Temperature Range:-20°C~+85°C
- 5. RoHS Compliant**



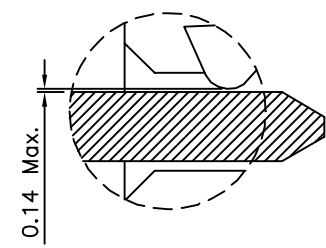
△ Open Type



FFC/FPC Dimension  
Thickness 0.3±0.05mm



Recommended P.C.B. Layout  
Component Side



Detail A  
Close Type

| Pin | A     | B     |
|-----|-------|-------|
| 3   | 9.55  | 5.20  |
| 4   | 10.80 | 6.45  |
| 5   | 12.05 | 7.70  |
| 6   | 13.30 | 8.95  |
| 7   | 14.55 | 10.20 |
| 8   | 15.80 | 11.45 |
| 9   | 17.05 | 12.70 |
| 10  | 18.30 | 13.95 |
| 11  | 19.55 | 15.20 |
| 12  | 20.80 | 16.45 |
| 13  | 22.05 | 17.70 |
| 14  | 23.30 | 18.95 |
| 15  | 24.55 | 20.20 |
| 16  | 25.80 | 21.45 |
| 17  | 27.05 | 22.70 |
| 18  | 28.30 | 23.95 |
| 19  | 29.55 | 25.20 |
| 20  | 30.80 | 26.45 |
| 21  | 32.05 | 27.70 |
| 22  | 33.30 | 28.95 |
| 23  | 34.55 | 30.20 |
| 24  | 35.80 | 31.45 |
| 25  | 37.05 | 32.70 |
| 26  | 38.30 | 33.95 |
| 27  | 39.55 | 35.20 |
| 28  | 40.80 | 36.45 |
| 29  | 42.05 | 37.70 |
| 30  | 43.30 | 38.95 |
| 31  | 44.55 | 40.20 |
| 32  | 45.80 | 41.45 |

**4UCON** 元化興業股份有限公司  
4UCON TECHNOLOGY INC.

|             |      |                |    |  |
|-------------|------|----------------|----|--|
| DRAWING No. |      | APPROVED BY    |    | UNLESS OTHERWISE SPECIFIED TOLERANCES ARE<br>.X ±0.30<br>△.XX ±0.25<br>△.XXX ±0.15<br>ANG. ±3° |
| 08824       |      | EMILY          |    |  |
|             |      | CHECKED BY HZF |    |  |
|             |      | DRAWING BY HAO |    | UNIT mm  |
| SCALE       | NONE | REV.           | A4 |  |

|          |             |     |            |
|----------|-------------|-----|------------|
| △ A4     | Modify Data | HZF | 05/29/2015 |
| △ A3     | Modify Data | HZF | 04/29/2015 |
| △ A2     | Modify Data | HZF | 01/06/2014 |
| △ A1     | Modify Data | HZF | 06/26/2009 |
| △ A0     | NEW RELEASE |     |            |
| NO. REV. | REVISIONS   | CHK | DATE       |