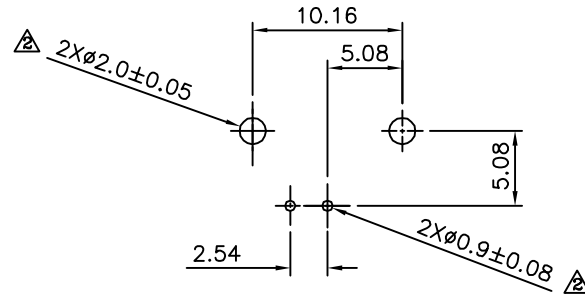


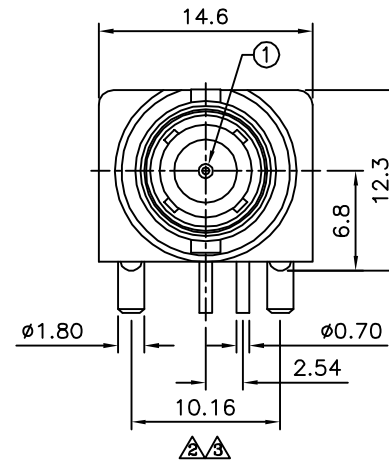
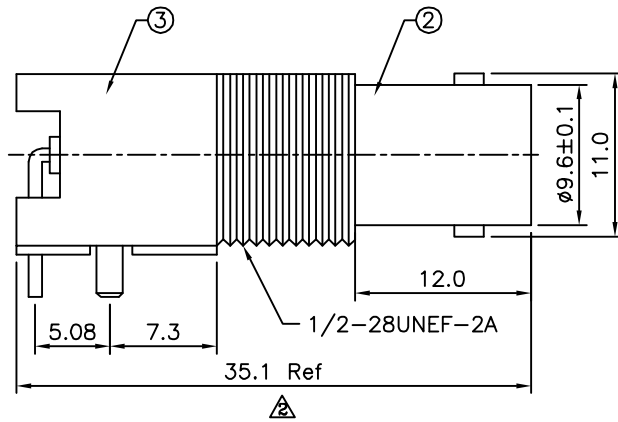
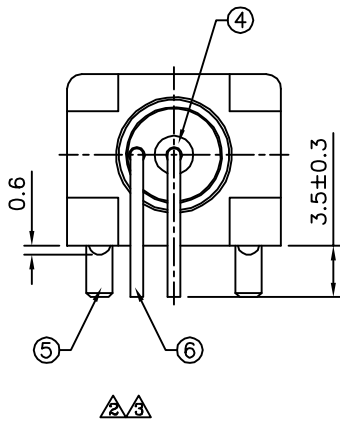
Recommended Mounting Hole
Max. Panel Thickness: 5.5mm



Recommended P.C. Board Layout
Without Mounting Posts

△△ SPECIFICATION

- ① Center Contact: Phosphor Bronze, Gold Plated
Over Nickel
 - ② Body: Zinc Alloy, Nickel Plated
 - ③ Housing: PBT (UL94V-0)
 - ④ Insulator: PE-606, White
 - ⑤ Mounting Post: Brass, Tin Plated
 - ⑥ Solder Tail: Copper Wire, Tin Plated
- RoHS Compliant



4UCON 元化興業股份有限公司
4UCON TECHNOLOGY INC.

DRAWING No.

08887

APPROVED BY

MEI

CHECKED BY

HZF

DRAWING BY

SONG

REV.

A3

UNLESS OTHERWISE SPECIFIED

TOLERANCES ARE

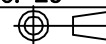
X. ±0.5

.X ±0.3

.XX ±0.2

ANG. ±3°

UNIT
mm



△ A3

Modify Data

HZF

04/14/2012

△ A2

Modify Data

HZF

06/03/2011

△ A1

0.5mm → 5.5mm

BECKY

2004/09/29

△ A

NEW RELEASE

NO. REV.

REVISIONS

CHK

DATE