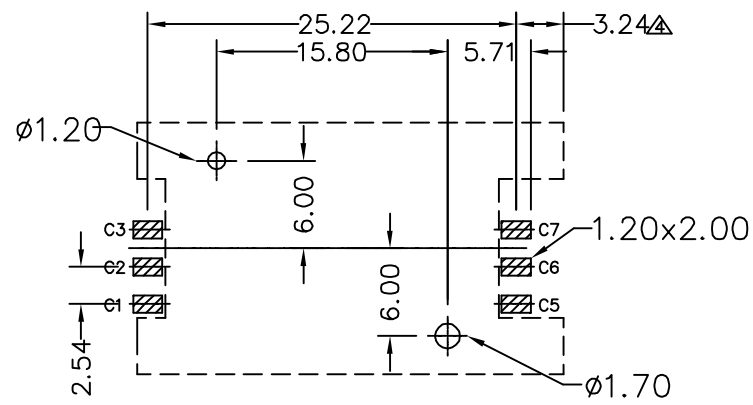
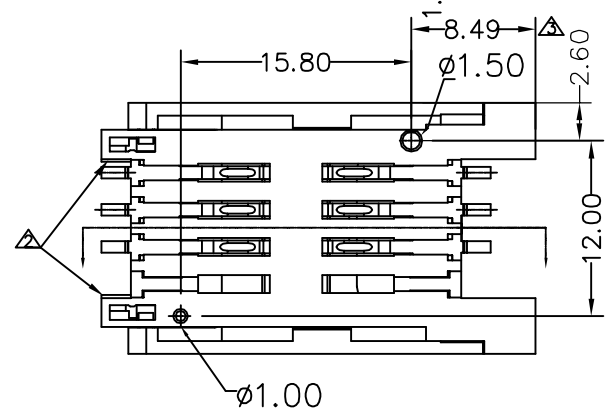
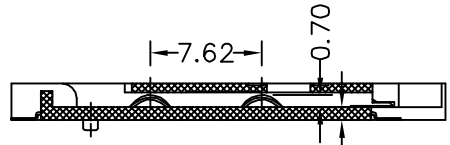
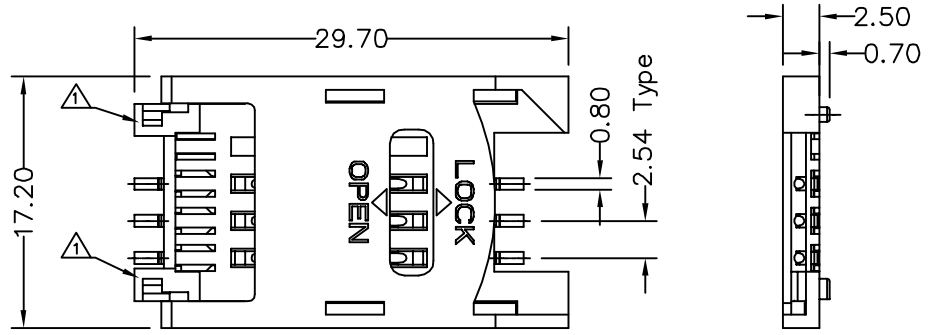
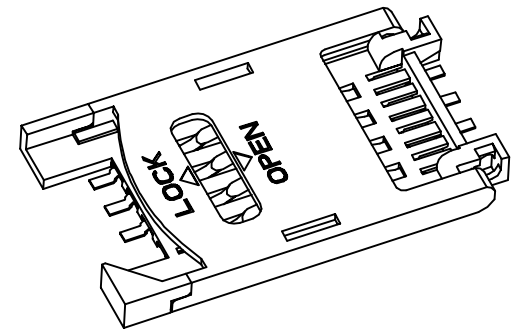


**SPECIFICATIONS**

1. General Information
  - . Contact Principle: Friction Technology
  - . Mounting Type: SMT
  - . Material:
    - Data Contact: Phosphor Bronze
    - Insulator: Thermoplastic, UL94 V-0
  - . Plating:
    - Gold Plating On Contact Area
    - Tin Plating On Solder Tails
2. Electrical Specification
  - . Contact Resistance: 50 Milliohms Max.
  - . Insulation Resistance: 1000 Megohms Min.
  - . Dielectric Withstanding Voltage: 500V AC R.M.S. For 1 Minute
  - . Current Rating: 0.5A Max.
3. Mechanical Specification
  - . Contact Force: 0.2N ~ 0.6N Per Pin
  - . Contact Retention Force: 0.3kgf. Min. Per Pin
  - . Durability: 5000 Cycles
4. Environment Specification
  - . Operation Temperature: -25°C ~ +85°C
  - . Humidity: 20% ~ 95%
  - . Resistance To Soldering Heat
    - Manual Soldering: 360°C, 3 Sec. Max.
    - Vapor Phase: 215°C, 30 Sec. Max.
    - IR Reflow: 260°C, 15 Sec. Max.
  - . RoHS Compliant



(.XX±0.05)  
REFERENCE PCB LAYOUT



**4UCON** 元化興業股份有限公司  
4UCON TECHNOLOGY INC.

DRAWING No.		APPROVED BY		UNLESS OTHERWISE SPECIFIED TOLERANCES ARE .X ±0.38 .XX ±0.25 ANG. ±1°
08936		VIVIAN		
		LYS		
		DRAWING BY		UNIT mm
		SJH		
SCALE	NONE	REV.	A4	

	A4	ADD Dimension	SJH	01/11/2012
	A3	ADD Dimension	KENVIN	09/08/2008
	A2	ADD CHAMFER	XSH	01/08/2008
	A1	MODIFIED AXES	XSH	09/27/2007
	A0	NEW RELEASE	XSH	01/04/2006
NO	REV.	REVISIONS	CHK	DATE