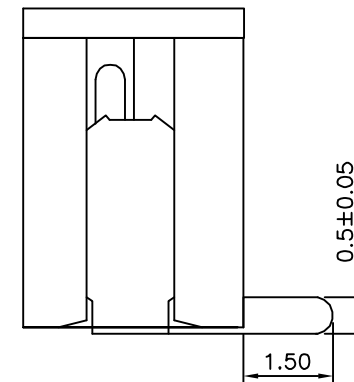
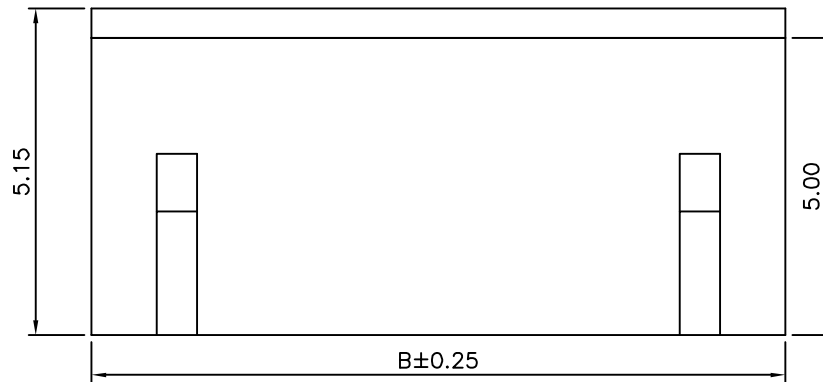
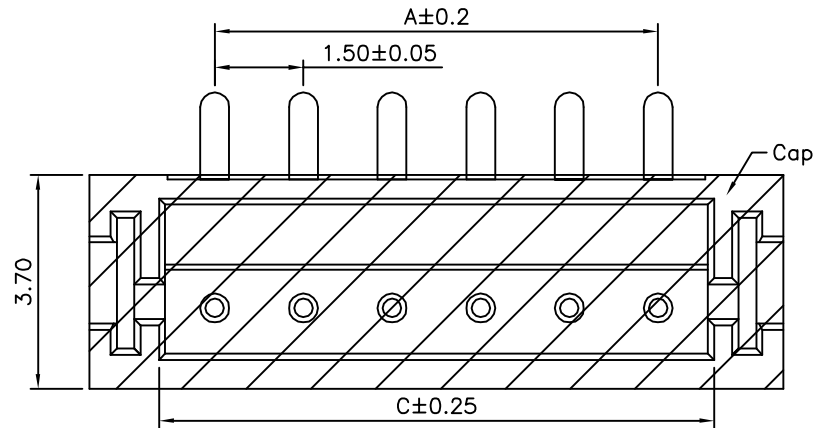


Recommended P.C.B. Layout



SPECIFICATION

Current Rating:1A AC/DC
 Voltage Rating:100V AC/DC
 Contact Resistance:20 Milliohms Max.
 Insulation Resistance:500 Megohms Min.
 Operating Temperature:-25°C~+85°C
 Withstanding Voltage:500V AC/Minute
 Base:PA9T(UL94V-0)
 Pin:Brass,Tin Plated
 RoHS Compliant

| Pin | A | B | C |
|-----|-------|-------|-------|
| 02 | 1.50 | 6.00 | 3.60 |
| 03 | 3.00 | 7.50 | 5.10 |
| 04 | 4.50 | 9.00 | 6.60 |
| 05 | 6.00 | 10.50 | 8.10 |
| 06 | 7.50 | 12.00 | 9.60 |
| 07 | 9.00 | 13.50 | 11.10 |
| 08 | 10.50 | 15.00 | 12.60 |
| 09 | 12.00 | 16.50 | 14.10 |
| 10 | 13.50 | 18.00 | 15.60 |
| 11 | 15.00 | 19.50 | 17.10 |
| 12 | 16.50 | 21.00 | 18.60 |
| 13 | 18.00 | 22.50 | 20.10 |

4UCON 元化興業股份有限公司
 4UCON TECHNOLOGY INC.

DRAWING No.

08958

APPROVED BY

MEI

CHECKED BY

HZF

DRAWING BY

HAO

UNLESS OTHERWISE SPECIFIED TOLERANCES ARE

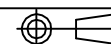
.X ±0.3

.XX ±0.2

SCALE NONE

REV. AO

UNIT mm



AO NEW RELEASE

NO. REV.

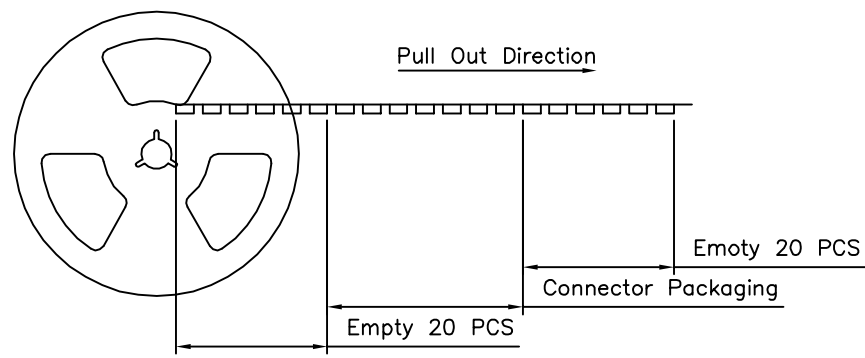
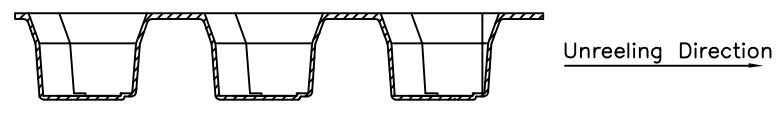
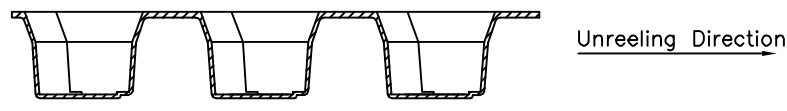
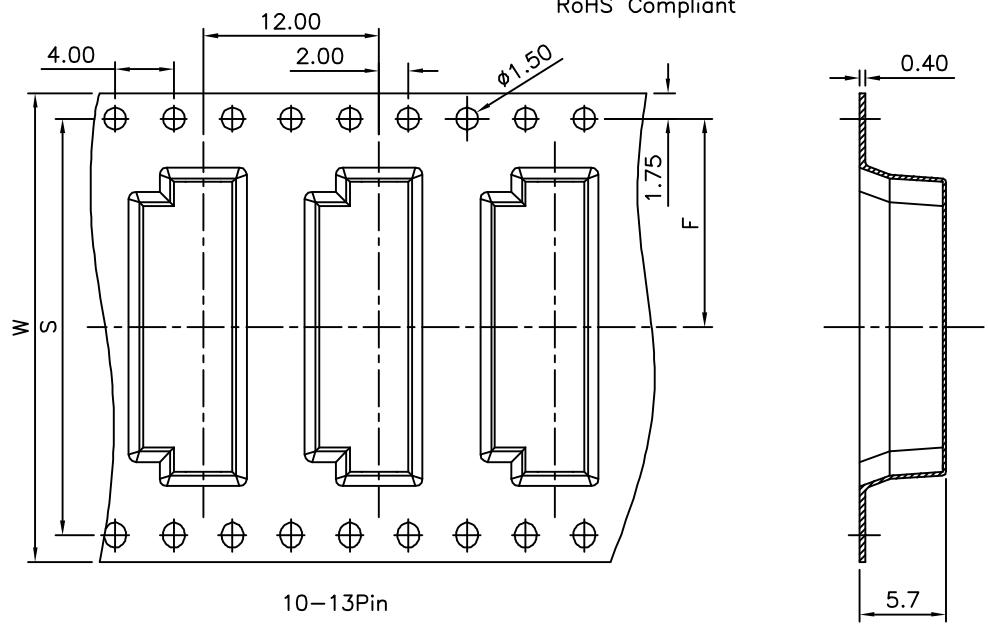
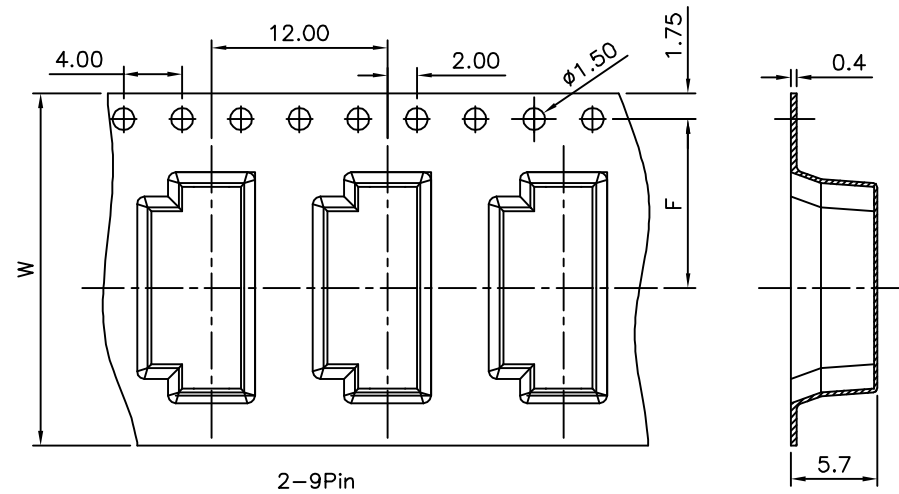
REVISIONS

HZF

CHK

06/03/2014 DATE

SPECIFICATION
 Q'ty:1000 PCS/Reel
 RoHS Compliant



| Pin | W | F | S |
|-----|----|------|------|
| 02 | 16 | 7.50 | |
| 03 | 16 | 7.50 | |
| 04 | 16 | 7.50 | |
| 05 | 24 | 11.5 | |
| 06 | 24 | 11.5 | |
| 07 | 24 | 11.5 | |
| 08 | 24 | 11.5 | |
| 09 | 24 | 11.5 | |
| 10 | 32 | 14.2 | |
| 11 | 44 | 20.2 | 40.4 |
| 12 | 44 | 20.2 | 40.4 |
| 13 | 44 | 20.2 | 40.4 |

4UCON 元化興業股份有限公司
 4UCON TECHNOLOGY INC.

| | | | | |
|-------------|------|----------------|----|--|
| DRAWING No. | | APPROVED BY | | UNLESS OTHERWISE SPECIFIED TOLERANCES ARE .X ±0.3 .XX ±0.2 |
| 08958 | | MEI | | |
| | | CHECKED BY HZF | | |
| | | DRAWING BY HAO | | |
| SCALE | NONE | REV. | A0 | UNIT mm |

| | | | | |
|------|------|-------------|-----|------------|
| NO. | REV. | REVISIONS | CHK | DATE |
| △ A0 | | NEW RELEASE | HZF | 06/03/2014 |