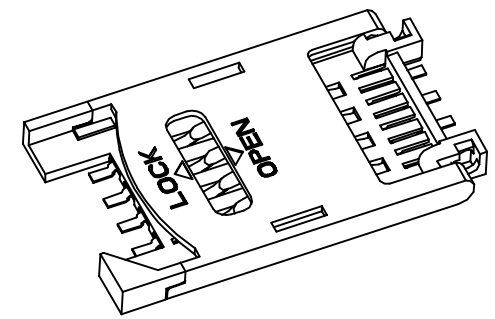


REFERENCE PCB LAYOUT

SPECIFICATIONS

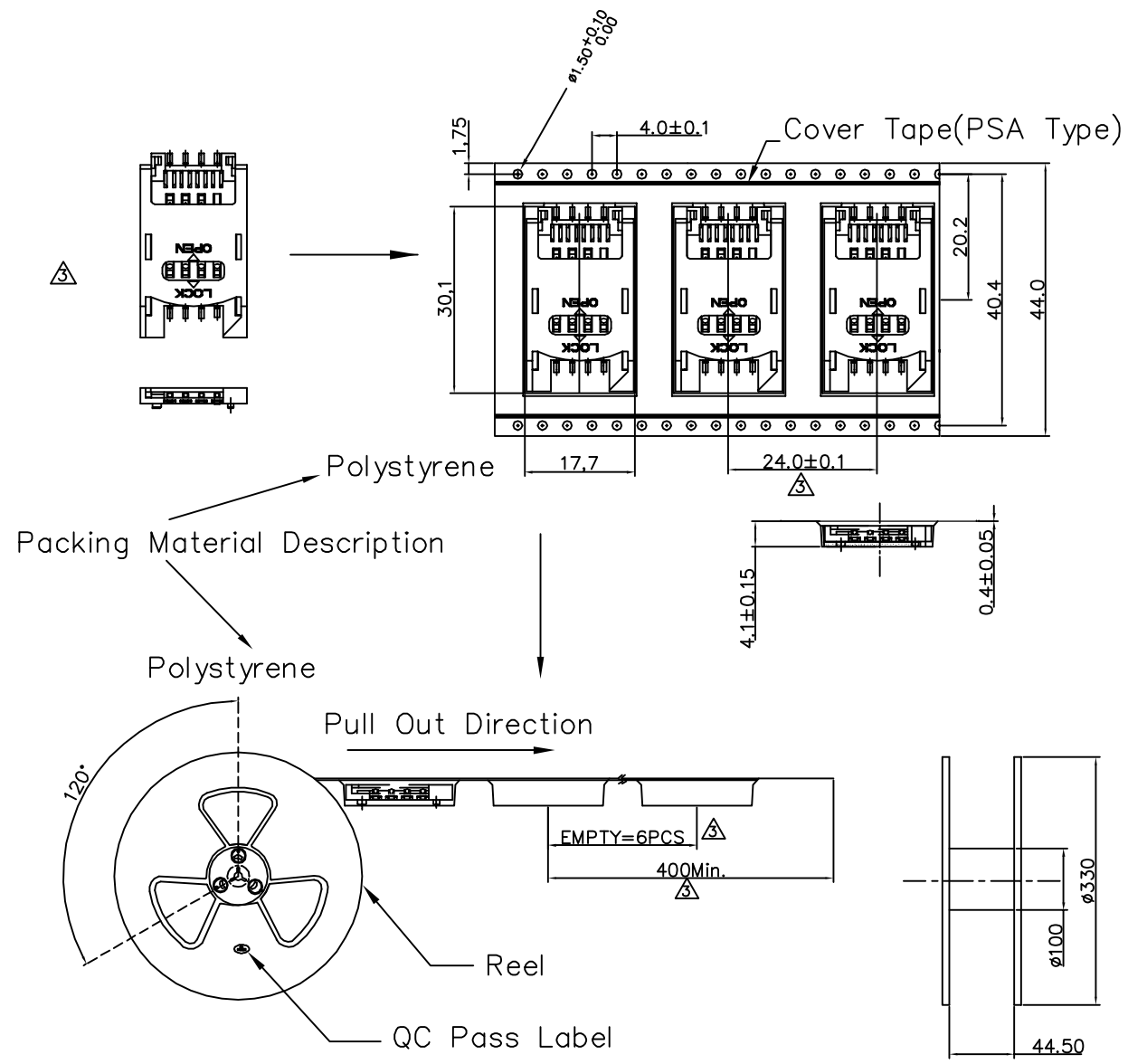
1. General Information
 - . Housing: Thermoplastic, UL 94 V-0
 - . Terminal: Phosphor Bronze
 - . Plating: Gold Plating On Contact Area
Tin Plating On Solder Tails
 2. Electrical Specification
 - . Contact Resistance: 50 Milliohms Max.
 - . Insulation Resistance: 1000 Megohms Min. At DC 500V
 - . Dielectric Withstanding Voltage: 500V AC R.M.S. For 1 Minute
 - . Current Rating: 0.5A Max.
 3. Mechanical Specification
 - . Durability: 5000 Cycles
 4. Environmental Specification
 - . Operation Temperature: -25°C ~ +85°C
 - . Resistance To Soldering Heat:
 - Manual Soldering: 360°C, 3 Sec. Max.
 - Vapor Phase: 215°C, 30 Sec. Max.
 - IR Re-flow: 260°C, 15 Sec. Max.
- . RoHS Compliant



4UCON 元化興業股份有限公司
4UCON TECHNOLOGY INC.

DRAWING No.		APPROVED BY		UNLESS OTHERWISE SPECIFIED TOLERANCES ARE .X ±0.38 .XX ±0.25 ANG. ±1°
09043		QXQ		
		CATHY		
		DRAWING BY		UNIT mm
		QXQ		
SCALE	NONE	REV.	A3	NO. REV.

△ A3	MARKED △ IS MODIFIED	QXQ	08/31/2010
△ A2	ADD CHAMFER	XSH	01/08/2008
△ A1	MODIFIED AXES	XSH	09/26/2007
△ A0	NEW RELEASE	XSH	01/04/2006
NO. REV.	REVISIONS	CHK	DATE



SPECIFICATIONS:
 Reel Size : 330*44.5 mm
 QTY : 650Pcs/Reel
 RoHS Compliant

4UCON 元化興業股份有限公司
 4UCON TECHNOLOGY INC.

DRAWING No. 09043
 SCALE NONE

APPROVED BY QXQ
 CHECKED BY CATHY
 DRAWING BY QXQ
 REV. A3

UNLESS OTHERWISE SPECIFIED TOLERANCES ARE
 .X ±0.20
 .XX ±0.10
 ANG. ±1°
 UNIT mm

NO.	REV.	REVISIONS	CHK	DATE
△A3		MARKED △ IS MODIFIED	QXQ	08/31/2010
△A2		ADD CHAMFER	XSH	01/08/2008
△A1		MODIFIED AXES	XSH	09/26/2007
△A0		NEW RELEASE	XSH	01/04/2006