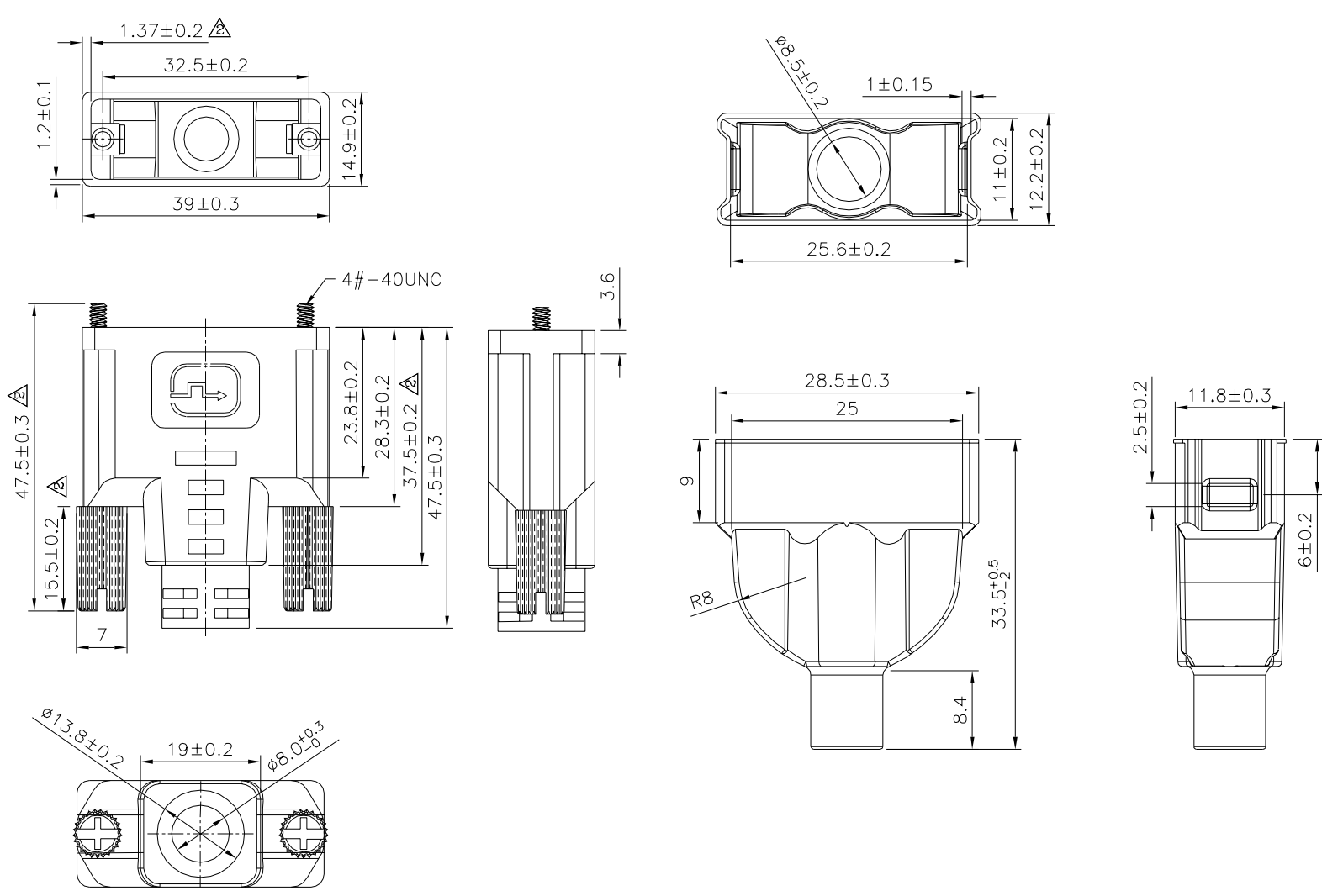


SPECIFICATION
 ▲ Insulator: PVC, Black
 Shell: Steel, Tin Plated
 Screw Insulator: ABS
 Screw: Steel
 RoHS Compliant



▲ Unless Otherwise Specified Tolerances Are:
 .X ±0.38 .XX ±0.25 .XXX ±0.10

4UCON 元化興業股份有限公司
 4UCON TECHNOLOGY INC.

DRAWING No.		APPROVED BY		UNLESS OTHERWISE SPECIFIED TOLERANCES ARE							
09391		MEI									
		CHECKED BY		HZF		.X ±0.20 X.* ±2*		▲ A2		Modify Data	
DRAWING BY		CYP		.XX ±0.15 .X.* ±1*		.XXX ±0.13 .XX.* ±0.5*		▲ A1		Modify Spec.	
SCALE		NONE		REV.		A2		UNIT		mm	
								▲ A0		NEW RELEASE	
								NO. REV.		REVISIONS	
								CHK		DATE	