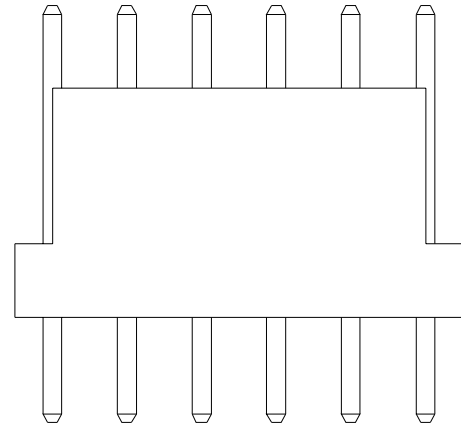
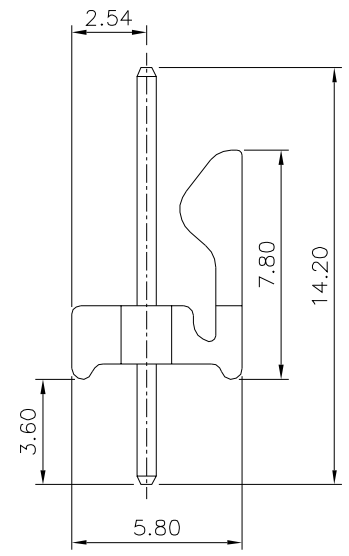
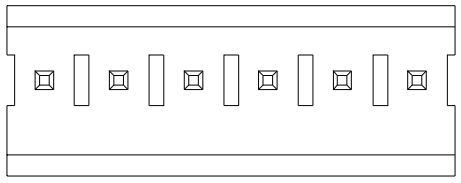
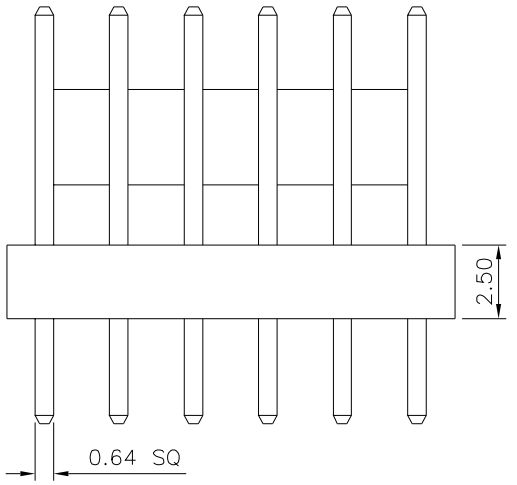
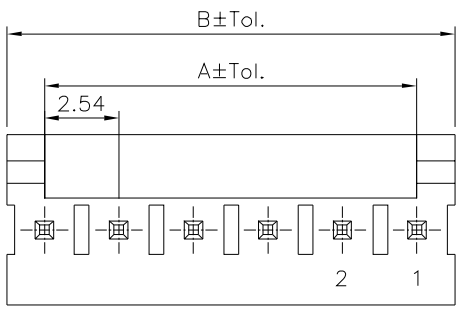


Recommended P.C.B. Layout

**SPECIFICATION**  
 Electrical Rating:UL 250V 2A,AC/DC  
 CSA 250V 2A,AC/DC  
 Contact:Brass,Tin Plated Over Nickel  
 Base:PA66(UL94V-0),White  
 RoHS Compliant



| Pin | A     | B     | A&B Tol.       |
|-----|-------|-------|----------------|
| 02  | 2.54  | 5.08  |                |
| 03  | 5.08  | 7.62  | +0.20<br>-0.10 |
| 04  | 7.62  | 10.16 |                |
| 05  | 10.16 | 12.70 |                |
| 06  | 12.70 | 15.24 |                |
| 07  | 15.24 | 17.78 | +0.30<br>-0    |
| 08  | 17.78 | 20.32 |                |
| 09  | 20.32 | 22.86 |                |
| 10  | 22.86 | 25.40 | +0.40<br>-0    |
| 11  | 25.40 | 27.94 |                |
| 12  | 27.94 | 30.48 |                |
| 13  | 30.48 | 33.02 | +0.50<br>-0    |
| 14  | 33.02 | 35.56 |                |
| 15  | 35.56 | 38.10 |                |
| 16  | 38.10 | 40.64 | +0.60<br>-0    |
| 17  | 40.64 | 43.18 |                |
| 18  | 43.18 | 45.72 |                |
| 19  | 45.72 | 48.26 | +0.70<br>-0    |
| 20  | 48.26 | 50.80 |                |
| 21  | 50.80 | 53.34 |                |
| 22  | 53.34 | 55.88 |                |
| 23  | 55.88 | 58.42 |                |
| 24  | 58.42 | 60.96 |                |
| 25  | 60.96 | 63.50 |                |
| 26  | 63.50 | 66.04 |                |
| 27  | 66.04 | 68.58 |                |
| 28  | 68.58 | 71.12 |                |

**4UCON** 元化興業股份有限公司  
 4UCON TECHNOLOGY INC.

DRAWING No. 09432  
 APPROVED BY Jason Wu  
 CHECKED BY Leo Han  
 DRAWING BY Michelle Lee  
 SCALE NONE REV. B0

UNLESS OTHERWISE SPECIFIED TOLERANCES ARE  
 .X ±0.30  
 .XX ±0.20  
 .XXX ±0.10  
 ANG. ±2°

|      |      |             |     |            |
|------|------|-------------|-----|------------|
| NO.  | REV. | DESCRIPTION | CHK | DATE       |
| △ B0 |      | NEW RELEASE | HZF | 04/07/2026 |
|      |      | REVISIONS   |     |            |