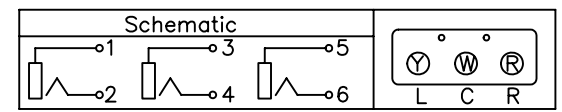
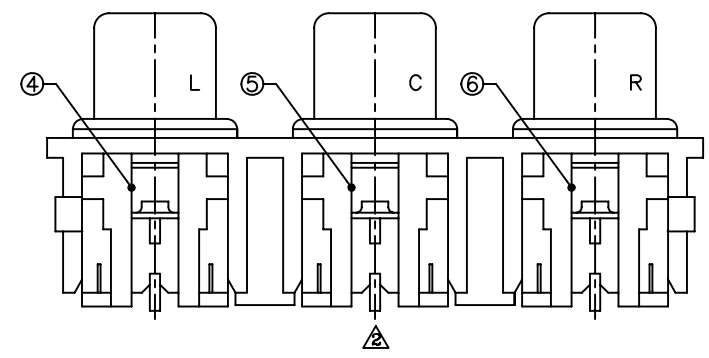
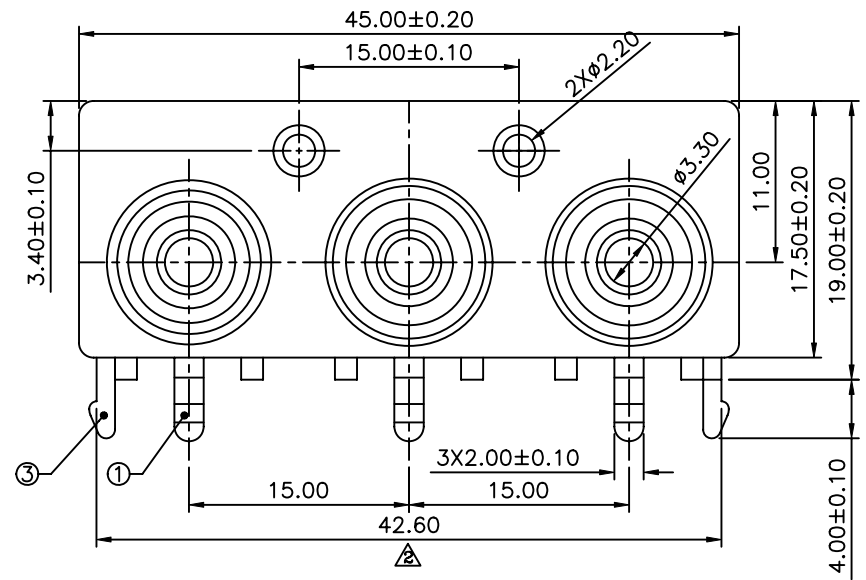
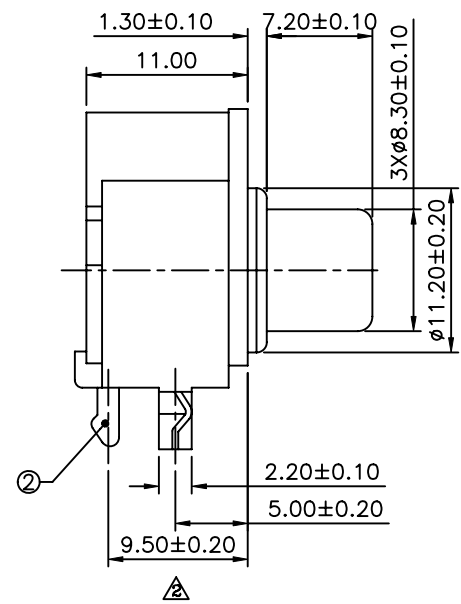
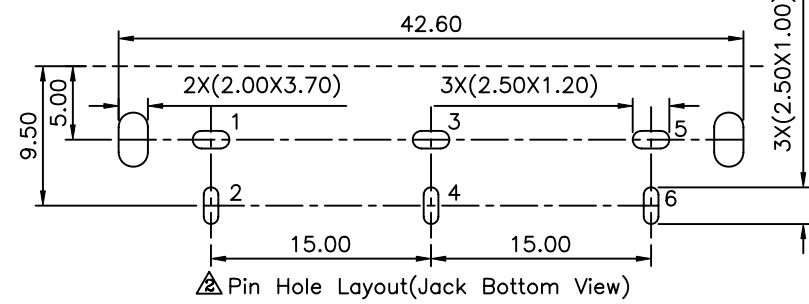


SPECIFICATION
 Contact Resistance:30 Milliohms Max.
 Insulation Resistance:100 Megaohms Min. At DC 500V
 Dielectric Withstand Voltage:500V AC For One Minute
 RoHS Compliant



⑥ Housing	1	PBT	Red
⑤ Housing	1	PBT	White
④ Housing	1	PBT	Yellow
③ Base	1	PBT	Black
② Pin	3	Brass	Silver Plated
① Earth Terminal	3	Brass	Nickel Plated
NO. Description	Q'ty	Material	Remark

4UCON 元化興業股份有限公司
 4UCON TECHNOLOGY INC.

DRAWING No.		APPROVED BY		UNLESS OTHERWISE SPECIFIED TOLERANCES ARE .XX ±0.30
09620		MEI		
		CHECKED BY HZF		
		DRAWING BY WZL		
SCALE	NONE	REV.	A2	UNIT mm

NO.	REV.	REVISIONS	CHK	DATE
△A2		Modify Data	HZF	07/02/2010
△A1		Modify Data	MEI	2003/11/25
△A0		NEW RELEASE		