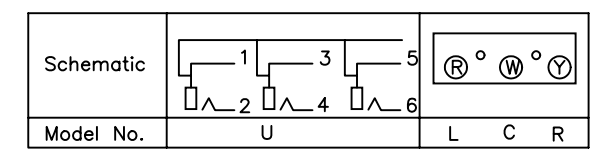
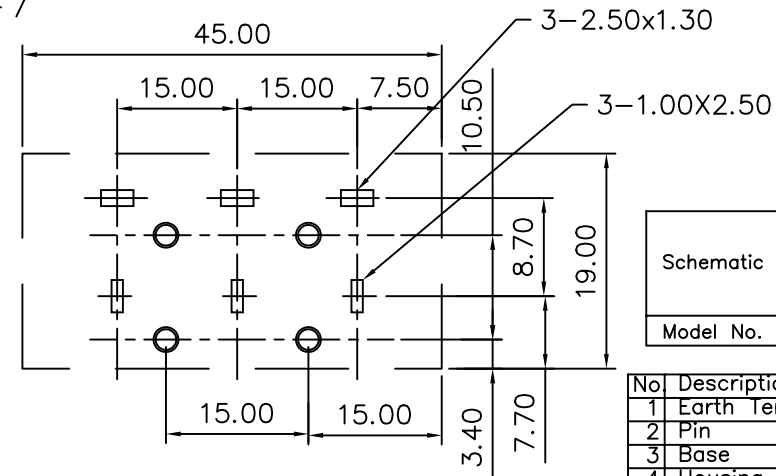
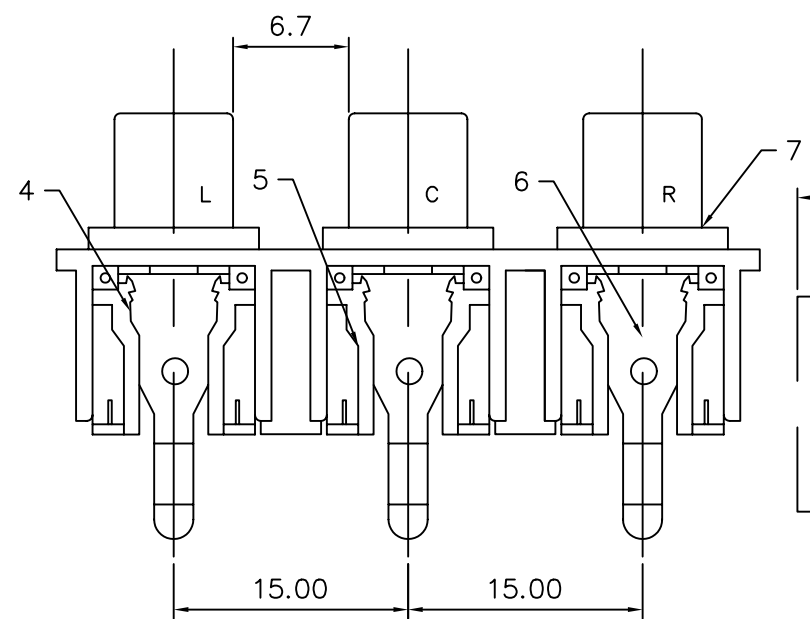
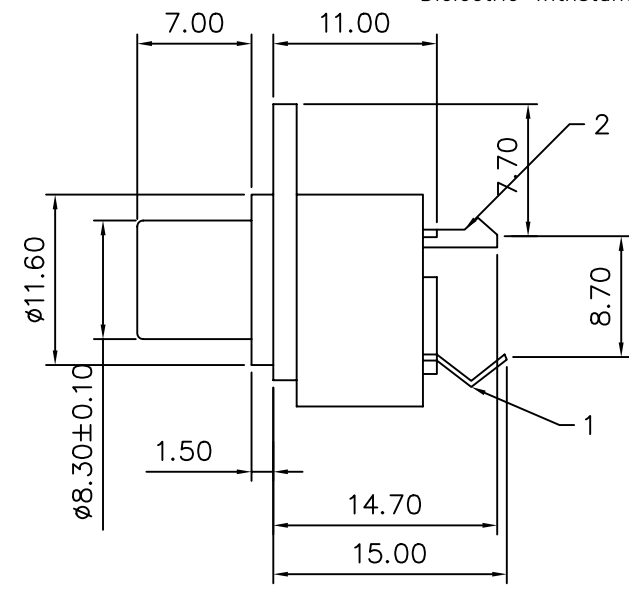
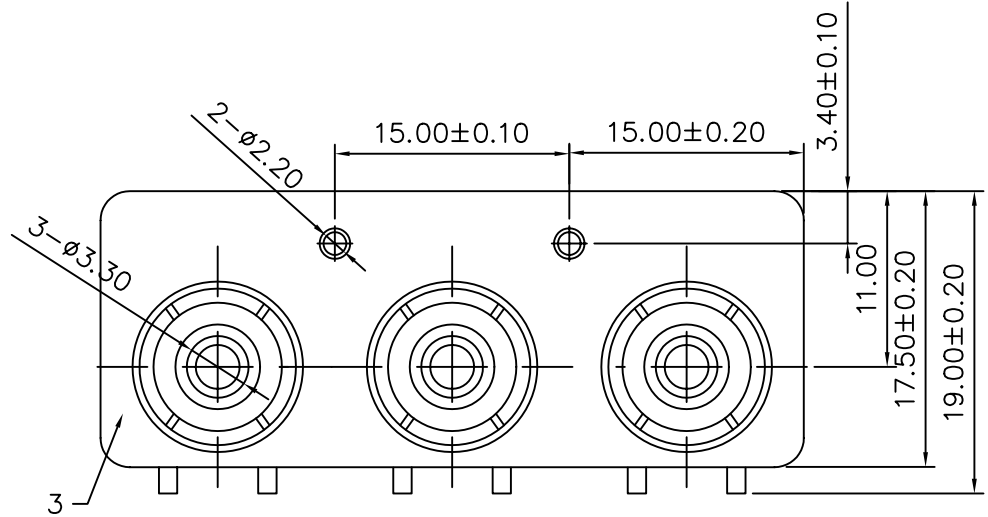


SPECIFICATIONS
 Contact Resistance: 30 Milliohms Max.
 Insulation Resistance: 100 Megohms Min. At DC 500V
 Dielectric Withstand Voltage: AC 500V For One Minute



No.	Description	Material	Q'ty	Finish
1	Earth Terminal	0.4T Brass	3	Nickel Plated
2	Pin	0.6T Brass	3	Silver Plated
3	Base	PBT	1	Black Color
4	Housing	PBT	1	Red
5	Housing	PBT	1	White
6	Housing	PBT	1	Yellow
7	Metal Plate	0.2T Iron	1	Nickel Plated

Pin Hole Layout
Jack Bottom View

4UCON 元化興業股份有限公司
 4UCON TECHNOLOGY INC.

DRAWING No.
09621

APPROVED BY MEI
 CHECKED BY RAN
 DRAWING BY HZF

UNLESS OTHERWISE SPECIFIED
 TOLERANCES ARE
 .X ±0.30
 .XX ±0.25
 ANG.

SCALE NONE REV. A UNIT mm

AREA REVISIONS CHK DATE