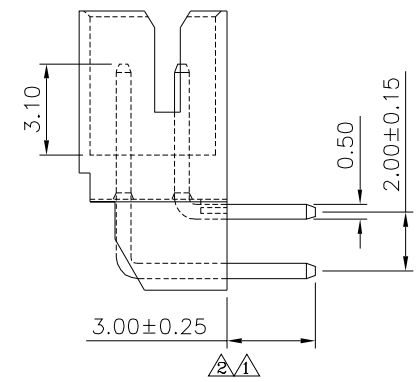
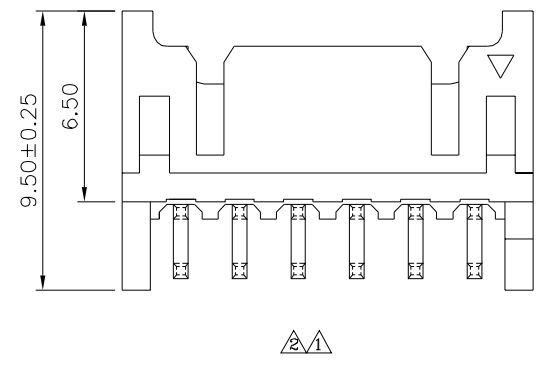
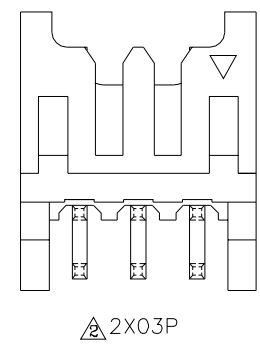
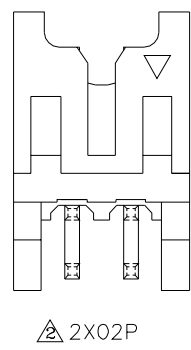
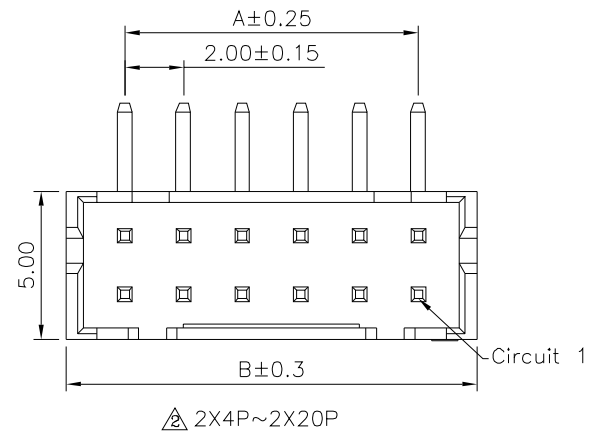


SPECIFICATION
 Current Rating:3A AC/DC
 Voltage Rating:250V AC/DC
 Withstand Voltage:800V AC/Minute
 Contact Resistance:20 Milliohms Max.
 Insulation Resistance:1000 Megaohms Min.
 Temperature Range:-25°C~+85°C
 Insulator:PA66(UL94V-0),Grey
 Contact:Brass,Tin Plated
 RoHS Compliant



| Pin | A | B |
|-----|-------|-------|
| 04 | 2.00 | 6.00 |
| 06 | 4.00 | 8.00 |
| 08 | 6.00 | 10.00 |
| 10 | 8.00 | 12.00 |
| 12 | 10.00 | 14.00 |
| 14 | 12.00 | 16.00 |
| 16 | 14.00 | 18.00 |
| 18 | 16.00 | 20.00 |
| 20 | 18.00 | 22.00 |
| 22 | 20.00 | 24.00 |
| 24 | 22.00 | 26.00 |
| 26 | 24.00 | 28.00 |
| 28 | 26.00 | 30.00 |
| 30 | 28.00 | 32.00 |
| 32 | 30.00 | 34.00 |
| 34 | 32.00 | 36.00 |
| 36 | 34.00 | 38.00 |
| 38 | 36.00 | 40.00 |
| 40 | 38.00 | 42.00 |

4UCON 元化興業股份有限公司
4UCON TECHNOLOGY INC.

DRAWING No. 09722

APPROVED BY MEI
 CHECKED BY HZF
 DRAWING BY CYP

SCALE NONE REV. A3

UNLESS OTHERWISE SPECIFIED TOLERANCES ARE
 .X ±0.30 X°. ±1°
 .XX ±0.20
 .XXX ±0.10

UNIT mm

| NO. | REV. | REVISIONS | CHK | DATE |
|-----|------|-------------|-----|------------|
| 3 | A3 | Modify Data | HZF | 11/11/2021 |
| 2 | A2 | Modify Data | HZF | 03/02/2020 |
| 1 | A1 | Modify Data | HZF | 01/18/2019 |
| 0 | A0 | NEW RELEASE | HZF | 09/26/2014 |