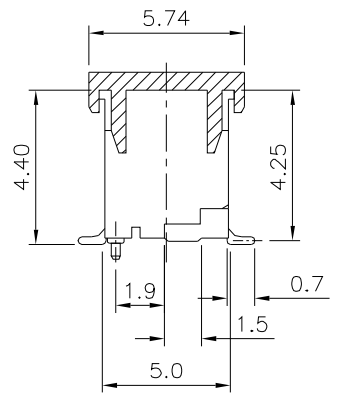
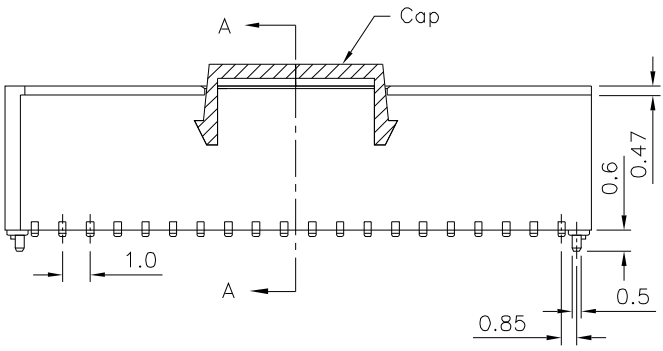
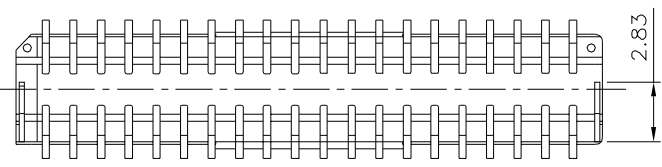


Recommended P.C. Board Layout

SPECIFICATION
 Current Rating:1.0A AC/DC
 Voltage Rating:50V AC/DC
 Withstanding Voltage:500V AC/Minute
 Contact Resistance:Initial Value 20 Milliohms Max.
 After Environmental Testing:40 Milliohms Max.
 Insulation Resistance:100 Megaohms Min.
 Temperature Range:-25°C~+85°C
 Contact:Phosphor Bronze,Tin Plated Over Nickel
 Insulator:Polyamide+G.F.(UL94V-0),Nature
 Solder Tad:Brass,Tin Plated Over Copper
 RoHS Compliant



Section:A-A



Circuits	A	B
20	9.0	12.3
30	14.0	17.3
40	19.0	22.3
50	24.0	27.3

4UCON 元化興業股份有限公司
 4UCON TECHNOLOGY INC.

DRAWING No.		APPROVED BY		UNLESS OTHERWISE SPECIFIED TOLERANCES ARE .X ±0.3 .XX ±0.2 ANG.
09888		MEI		
		CHECKED BY	HZF	
		DRAWING BY	SONG	
SCALE	NONE	REV.	A0	UNIT mm

△ A0	NEW RELEASE	HZF	08/22/2011
NO. REV.	REVISIONS	CHK	DATE