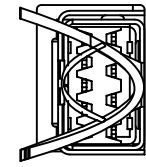
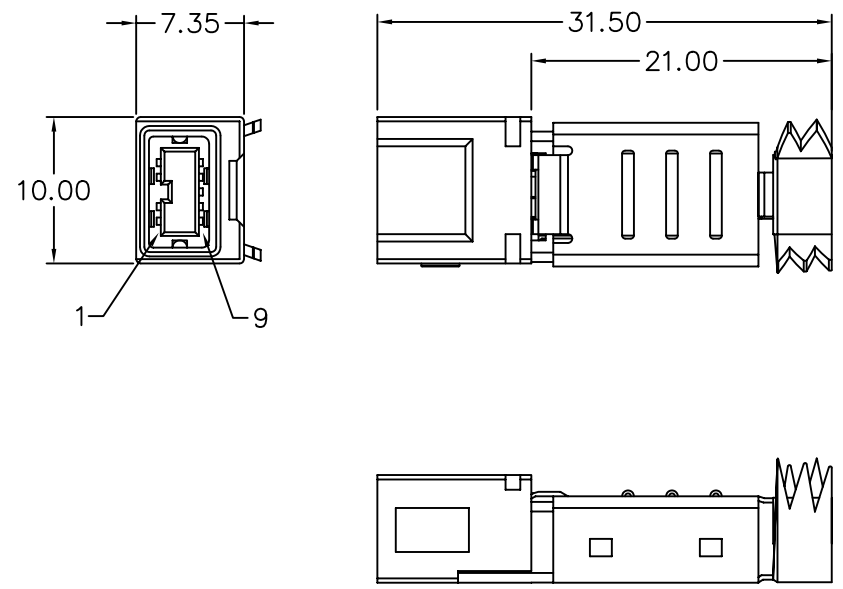


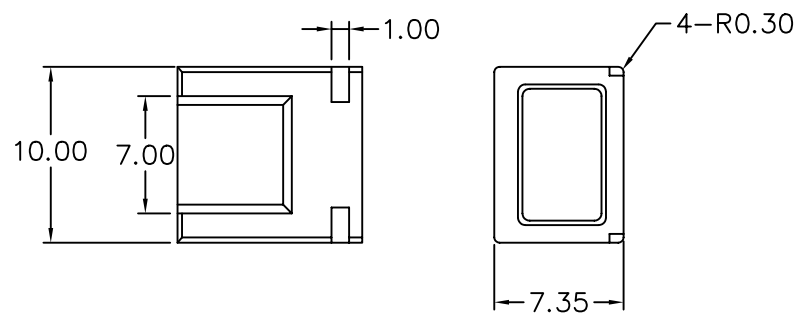
SPECIFICATION:
 Current Rating : 1.5 A
 Voltage :30V
 Dielectric Withstand:100V DC
 Insulation Resistance: 1000 Megohms Min
 Contact Resistance :50 Milliohms Max.
 Shell Resistance:50 Megohms
 Operating Temperature : -40°C To +85°C
 Storage Temperature : -40°C To +105°C



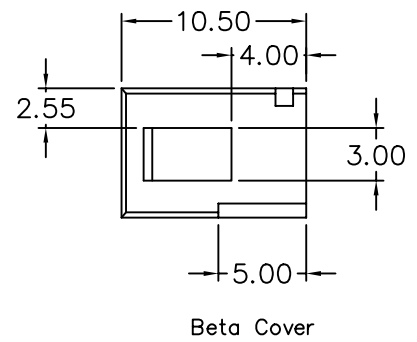
4UCON 元化興業股份有限公司
 4UCON TECHNOLOGY INC.

DRAWING No.		APPROVED BY		UNLESS OTHERWISE SPECIFIED TOLERANCES ARE
10021		MEI		
		BECKY		
		DRAWING BY		.X ±0.15
		HZF		.XX ±0.10
				.XXX ±0.05
SCALE	NONE	REV.	A0	UNIT
				mm

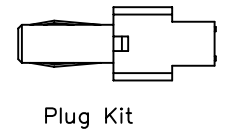
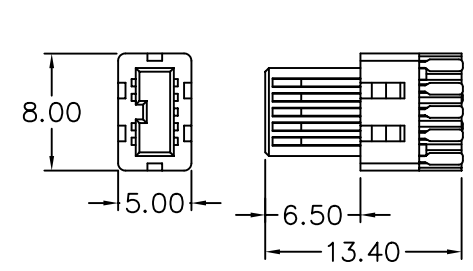
NO.	REV.	REVISIONS	CHK	DATE
△A0	A0	NEW RELEASE	MEI	



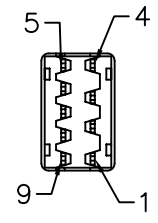
Material: Thermoplastic(UL94V-0)



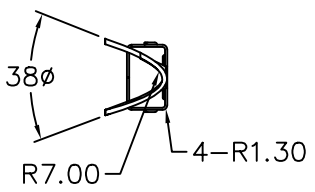
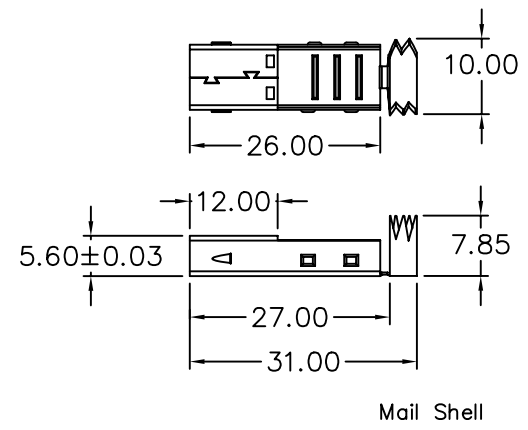
Beta Cover



Plug Kit

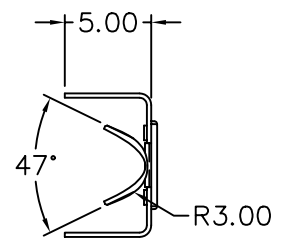
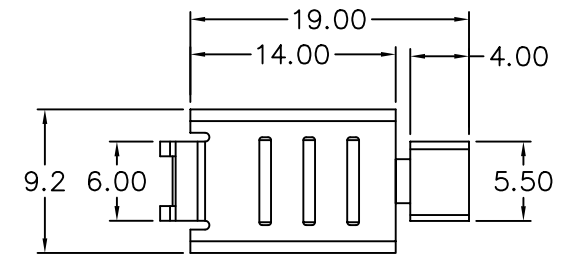


Housing: Thermoplastic,G.F.UL 94V-0
 Upper Piece And Lower Piece
 Thermoplastic,G.F.UL 94V-0
 Contact: Copper Alloy



Material: Spcc t=0.30mm±0.02
 Finish: 120u" Tin/Lead Over 50u"Ni.

Mail Shell



Material: Spcc t=0.30mm±0.02
 Finish: 120u" Tin/Lead Over 50u"Ni.

Upper Shell

4UCON 元化興業股份有限公司
 4UCON TECHNOLOGY INC.

DRAWING No.
 10021

APPROVED BY MEI
 CHECKED BY BECKY
 DRAWING BY HZF

UNLESS OTHERWISE SPECIFIED
 TOLERANCES ARE
 .X ±0.15
 .XX ±0.10
 .XXX ±0.05

SCALE NONE

REV. A0

UNIT mm

NO. REV.

NEW RELEASE REVISIONS

MEI DATE