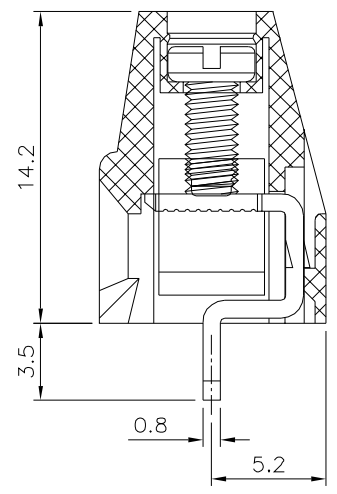
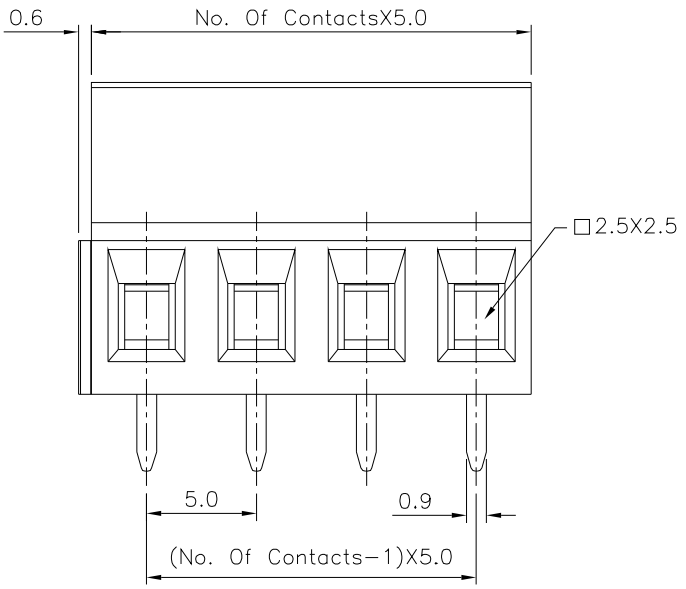


Recommended P.C.B. Layout

**SPECIFICATION**  
 Voltage Rating:300V AC  
 Current Rating:16A/Way Max.  
 Contact Resistance:20 Milliohms Max.  
 Withstanding Voltage:2500V AC/Minute  
 Wire Range:12~30 AWG  
 Torque:4.5 Kgf.cm/M3.0  
 Operation Temperature:-40°C~+105°C  
 Contact:Copper Alloy,Nickel Plated  
 Screw:Steel,Galvanized With Cr3+ Plated  
 Solder Pin:Copper Alloy,Tin Plated  
 Insulator:Polyamide(UL94V-0),Green  
 RoHS Compliant



**4UCON** 元化興業股份有限公司  
 4UCON TECHNOLOGY INC.

DRAWING No.		APPROVED BY		UNLESS OTHERWISE SPECIFIED TOLERANCES ARE X. ±0.50 .X ±0.30 .XX ±0.20 ANG. ±1°										
10037		MEI												
		CHECKED BY HZF												
		DRAWING BY YBL		<table border="1"> <tr> <td></td> <td>B0</td> <td>Modify Data</td> <td>HZF</td> <td>10/24/2023</td> </tr> <tr> <td></td> <td>B0</td> <td>NEW RELEASE</td> <td>HZF</td> <td>10/24/2023</td> </tr> </table>		B0	Modify Data	HZF	10/24/2023		B0	NEW RELEASE	HZF	10/24/2023
	B0	Modify Data	HZF		10/24/2023									
	B0	NEW RELEASE	HZF	10/24/2023										
SCALE	NONE	REV.	B0	UNIT mm										

NO.	REV.	REVISIONS	CHK	DATE