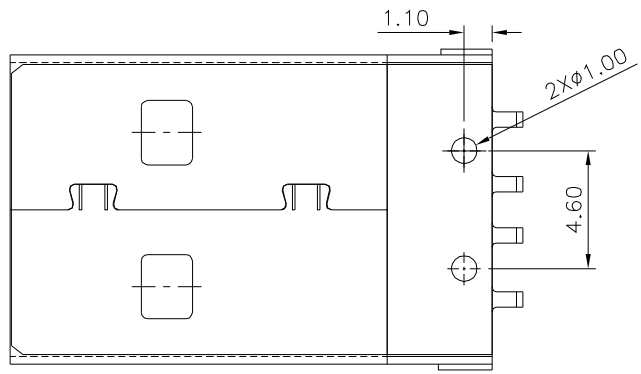
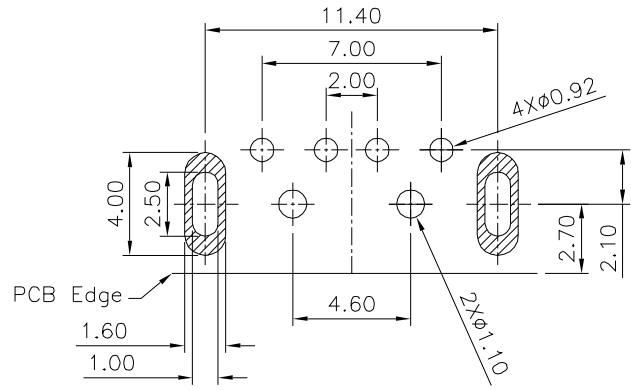
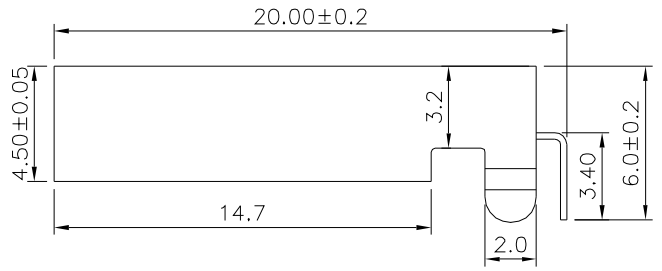


SPECIFICATION
 Current Rating:1A
 Voltage:30V Max.
 Withstanding Voltage:500V AC
 Contact Resistance:30 Milliohms Max.
 Insulation Resistance:1000 Megaohms Min.
 Withdawal Force:10N Min.
 Durability:1500 Cycles Min.
 Operation Temperature:-45°C~+85°C
 Contact Finish:
 Gold Flash On Contact Area,Tin
 Plated On Solder Tails,Over Nickel
 RoHS Compliant



Recommended P.C.B. Layout

③	Housing	PBT+30%G.F. (UL94V-0)	10088:White 10089:Black	1
②	Terminal	Brass		4
①	Shell	SPCC	Nickel Plated	1
No.	Description	Material	Remark	Q'ty

4UCON 元化興業股份有限公司
 4UCON TECHNOLOGY INC.

DRAWING No.		APPROVED BY		UNLESS OTHERWISE SPECIFIED TOLERANCES ARE .X ±0.3 .XX ±0.2
10088		MEI		
		HZF		
		DRAWING BY		
		CYP		
SCALE	NONE	REV.	A0	UNIT mm

△ A0	NEW RELEASE	HZF	07/21/2015
NO. REV.	REVISIONS	CHK	DATE