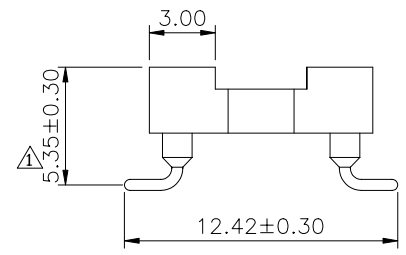
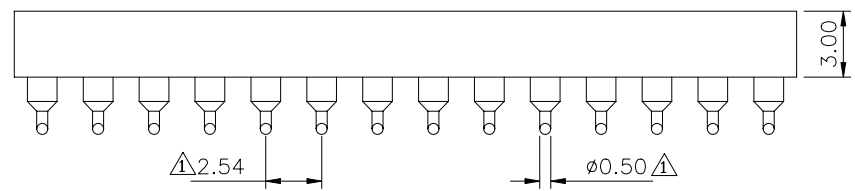
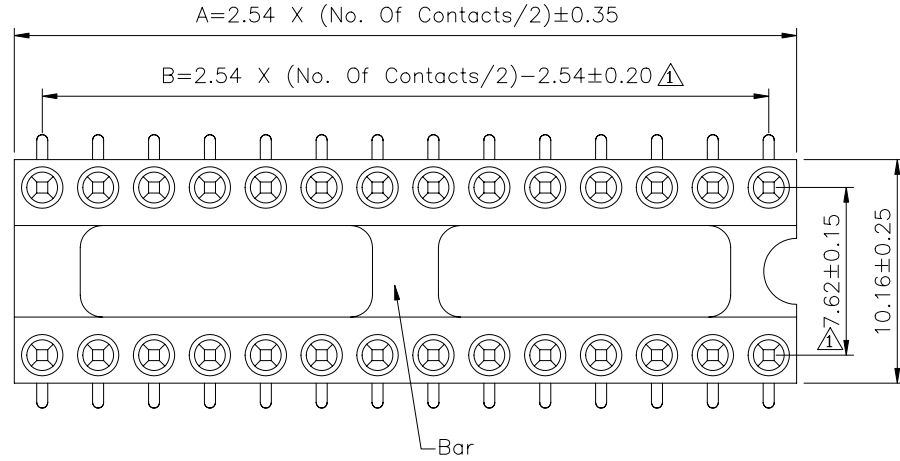


P.C.B Layout



SPECIFICATION

△ Current Rating:3Amps/Contact Max.  
 Contact Resistance:4 Milliohms Max./Contact  
 Insulation Resistance:1000 Megaohms Min. At 100V  
 Operation Voltage:60V AC/DC  
 Average Insertion Force With Steel Pin Of ø0.43mm:<250g  
 Average Withdrawal Force With Steel Pin Of ø0.43mm:>90g Min.  
 Mechanical Life Cycle:Min.200  
 Operation Temperatures:Gold Plated:-55°C~+105°C  
 Tin Plated:-40°C~+105°C  
 Soldering Temperature:+260°C 6S Max.  
 Pin(Outer Sleeve):Brass Machined CuZn38Pb2  
 Plating(Outer Sleeve):Tin Plated  
 Clip(Contact 4 Finger):Beryllium Copper,Heat Treated  
 Plating(Contact):Gold Plated  
 Insulator Black(Housing):PPS(UL94V-0)  
 RoHS Compliant

Pin	A	B	Type
6	7.62	5.08	Without Bar
8	10.16	7.62	
10	12.70	10.16	
14	17.78	15.24	
16	20.32	17.78	With Bar
18	22.86	20.32	
20	25.40	22.86	
24	30.48	27.94	
28	35.56	33.02	With Bar
32	40.64	38.10	
40	50.80	48.26	
48	60.96	58.42	

**4UCON** 元化興業股份有限公司  
 4UCON TECHNOLOGY INC.

DRAWING No.		APPROVED BY		UNLESS OTHERWISE SPECIFIED TOLERANCES ARE X. ±0.50 △ .X ±0.30 .XX ±0.20 .XXX ±0.10 ANG ±5°
10170		MEI		
		CHECKED BY	HZF	
		DRAWING BY	XYH	
SCALE	NONE	REV.	A1	UNIT mm

△ A1	Modify Data	HZF	05/27/2009
△ A0	NEW RELEASE	HZF	05/03/2007
NO.REV.	REVISIONS	CHK	DATE