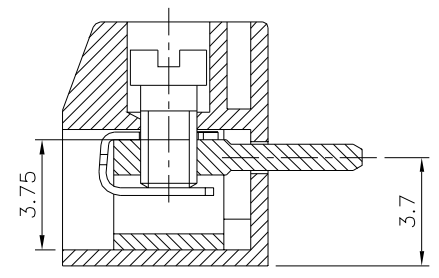
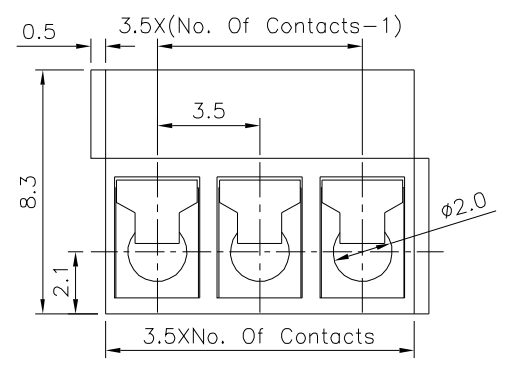
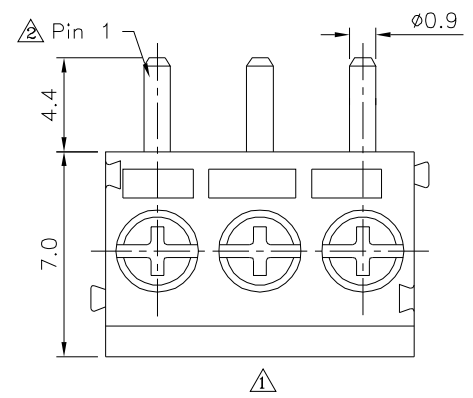


Recommended P.C.B. Layout



△ SPECIFICATION

Voltage Rating:150V AC
 Current Rating:10 Amps/Way Max.
 Contact Resistance:20 Milliohms Max.
 Withstanding Voltage:2000V AC(1 Minute)
 Test Time=60 Sec/1 PCS
 Wire Range:16~30 AWG
 Torque:2.0 Kgf.cm/M2
 Operation Temperature:-40°C~+105°C
 Soldering Reliability:
 Test Temperature=250°C±10°C/5Seconds Max.
 Terminal:Copper Alloy,Tin Plated
 Screw:Steel,Galvanized With Cr3+ Plated
 Wire Guard:Stainless Steel
 △ Insulator Body(Housing):Polyamide.(UL94V-0),Blue
 RoHS Compliant

4UCON 元化興業股份有限公司
 4UCON TECHNOLOGY INC.

DRAWING No. △
 10701

APPROVED BY MEI
 CHECKED BY HZF
 DRAWING BY CYP

UNLESS OTHERWISE SPECIFIED TOLERANCES ARE
 X. ±0.50
 .X ±0.30
 .XX ±0.20
 X° ±1°

SCALE NONE REV. A2 UNIT mm

NO.	REV.	REVISIONS	CHK	DATE
△2	A2	Modify Data	HZF	12/10/2019
△1	A1	Modify Data	HZF	12/16/2014
△0	A0	NEW RELEASE	HZF	06/05/2011